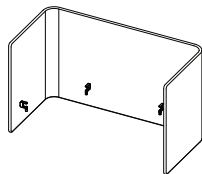


the good-fences

Pinnable Privacy Shield

ASSEMBLY INSTRUCTIONS

Included in the box:



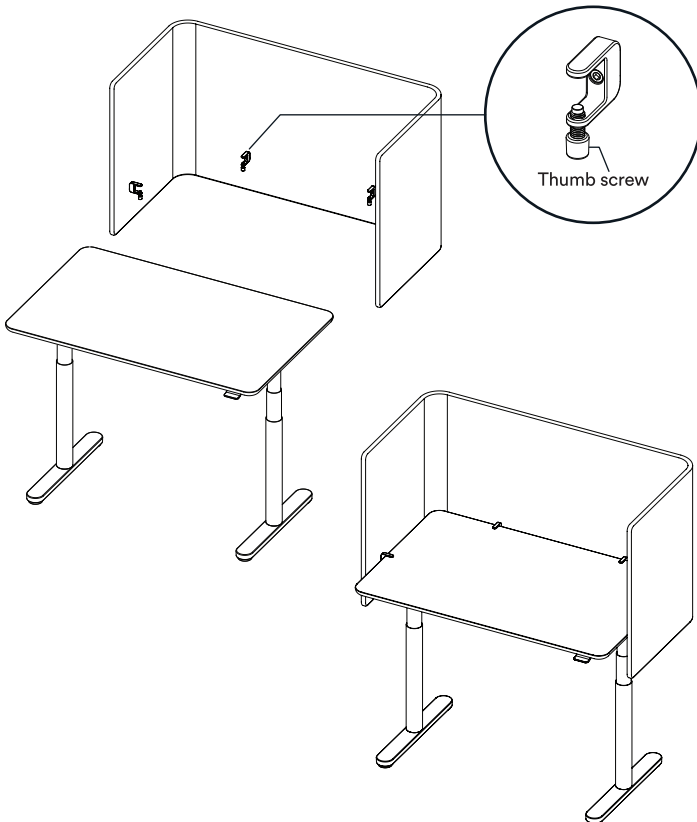
PRIVACY SHIELD + EDGE CLIPS



4mm Allen wrench

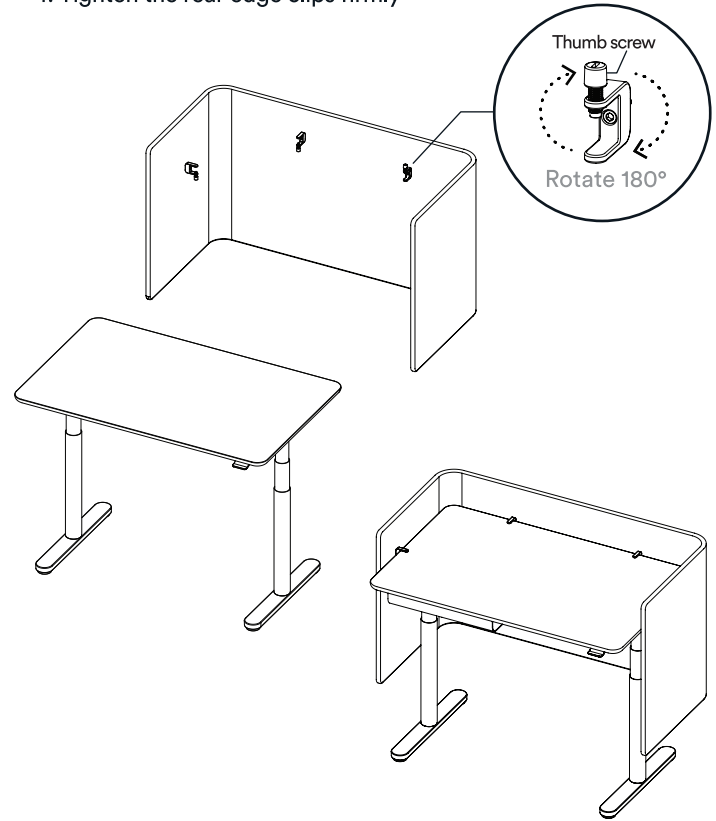
ASSEMBLY

1. Ensure the thumbscrews point downward
2. Slide the two rear edge clips onto the desk edge
3. Fold in one side section and tighten the thumbscrew firmly; move to the other side section and tighten the thumbscrew
4. Tighten the rear edge clips firmly



MODESTY

1. Rotate the edge clips so that the thumbscrews point downward
2. Slide the two rear edge clips onto the desk edge
3. Fold in one side section and tighten the thumbscrew firmly; move to the other side section and tighten the thumbscrew
4. Tighten the rear edge clips firmly



CARE

PET Privacy Panels should be blotted with a damp cloth and warm soapy water to remove stains. Use a lint roller or tape to pick up any dust or debris. PET is pliable so go ahead and pin up that list of to-dos or your favorite cat pic.

100% WORK HAPPINESS GUARANTEE

For full warranty details, visit poppin.com

WARNING/DISCLAIMER

Heads up, daredevils! Failure to follow these installation instructions can result in product failure, personal injury, or property damage.

We recommend performing an annual check up on your Desk System. Ensure that all Clever Levers are fully engaged and that all beam ridges and connector ridges are flush against the leg frame. If these conditions are not met, cease using the furniture until corrections are made.

Shop the complete furniture collection at poppin.com

Designed by Poppin in NYC

Poppin, Inc.

16 Madison Square West, 3rd Floor
New York, NY 10010

(888) 676-7746

hi@poppin.com

[@workhappy @poppin](https://www.instagram.com/workhappy)

For patent or patent application information visit poppin.com/patents

©Poppin 2020

v01_Aug2020