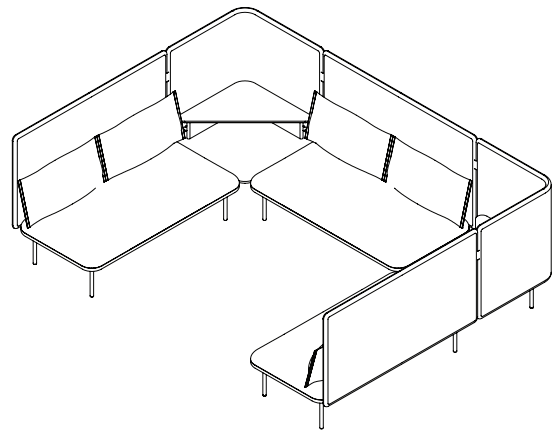
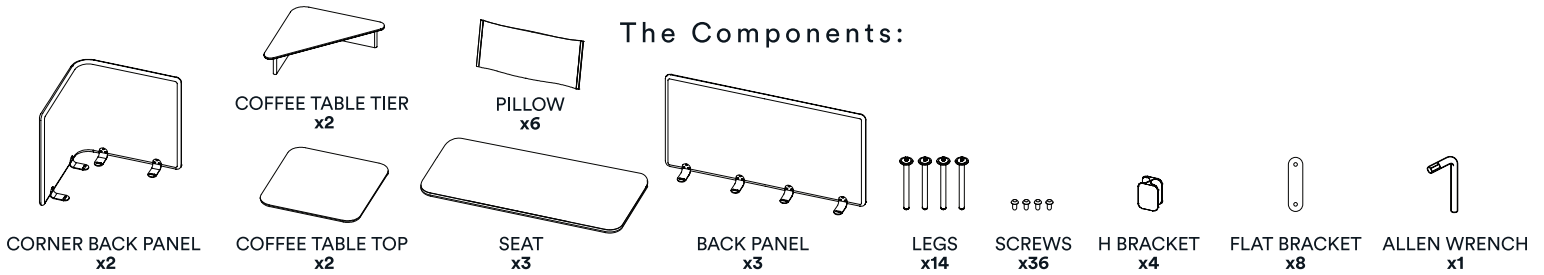


the quality time

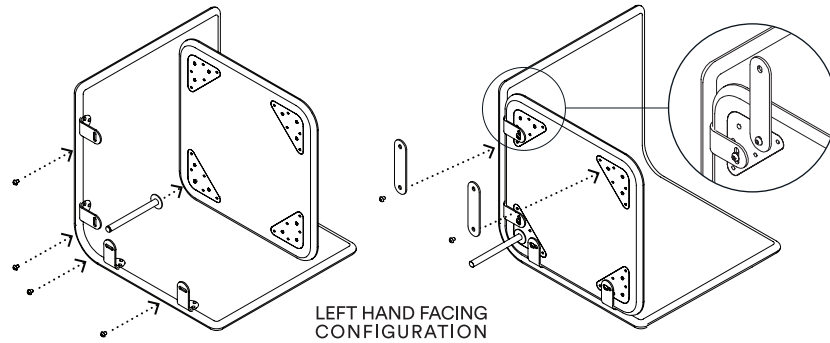
QT Lounge Collab Sofa



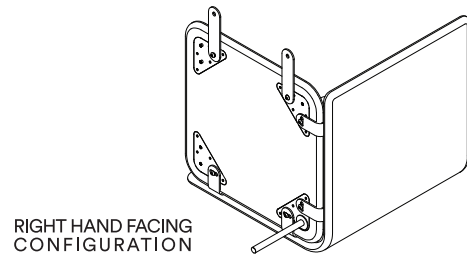
ASSEMBLY INSTRUCTIONS



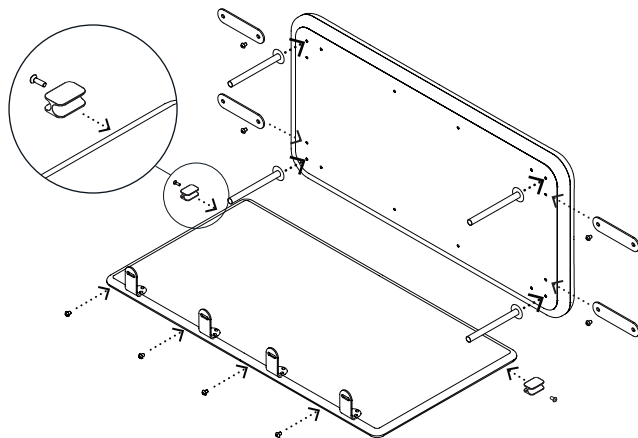
1. Lay the first corner back panel on the ground. Align the coffee table top with two brackets and secure with screws. Fold the corner around the table and secure with two screws. Screw in one leg. Install two flat brackets



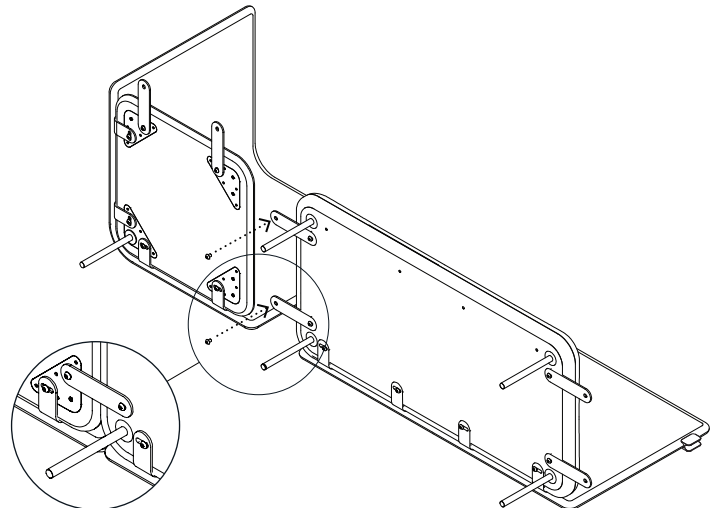
2. Repeat with the second corner back panel



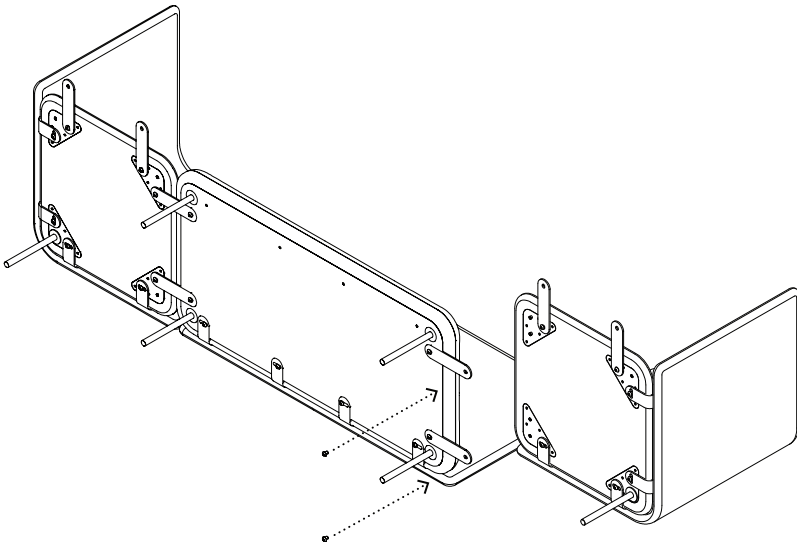
3. Lay the first flat back panel on the ground. Align the seat with L brackets and secure with screws. Feel for the hidden screw receptor on the edges of the flat back panel, under the upholstery, and make a small hole. Screw the H brackets into place. Install four flat brackets. Screw in four legs



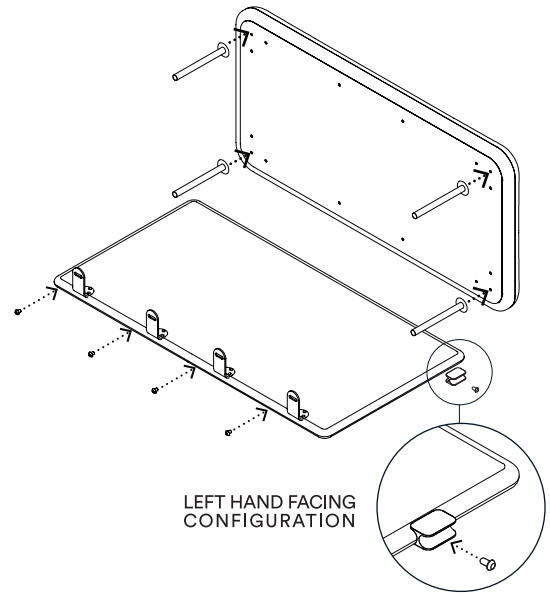
4. Position the seat and table side by side and ensure the corner back panel edge is nested into the H bracket (no additional screw required). Use the flat brackets to secure the table to the seat



5. Repeat using the second table



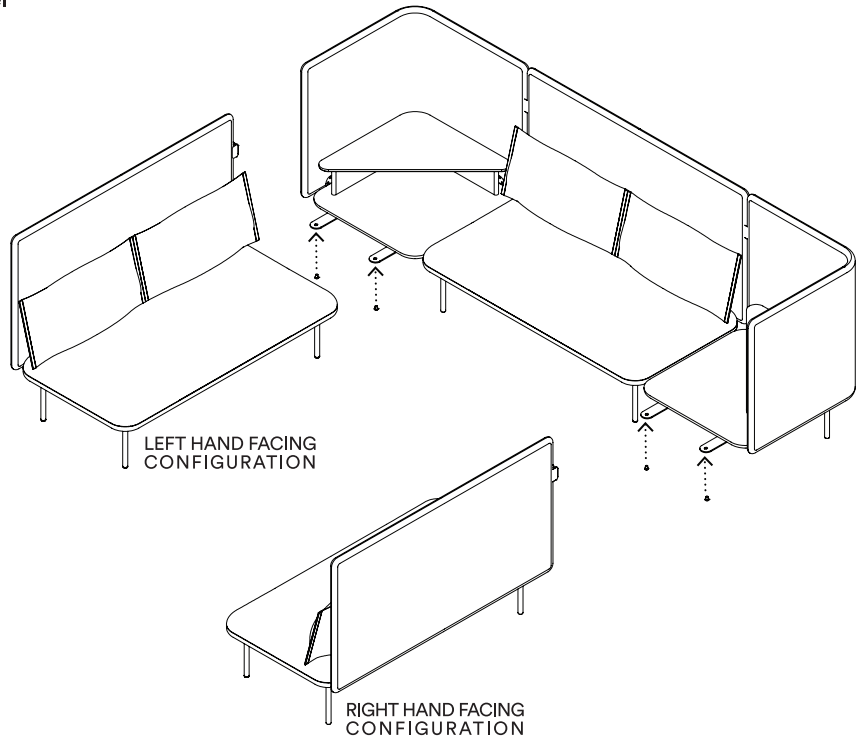
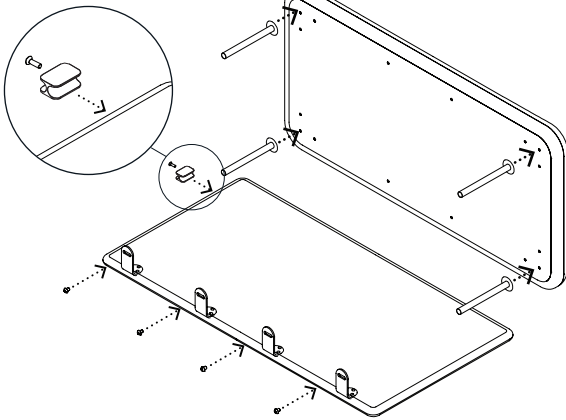
6. Lay the flat back panel on the ground. Align the seat with L brackets and secure with screws. Feel for the hidden screw receptor on the edge of the flat back panel, under the upholstery, and make a small hole. Screw the H bracket into place. Screw in the four legs. Repeat using the last back panel for the right hand facing side



7. Repeat using the last back panel for the right hand facing side
HEADS UP!
Install the H Bracket on the opposite end of the back panel

7. Flip the components upright and use the flat brackets to secure the seats to the tables. Add the table tiers and the pillows

RIGHT HAND FACING CONFIGURATION



CARE

We recommend annual professional upholstery cleaning for maximum long-term performance and best appearance. Spot-clean using an upholstery cleanser formulated for Polyester fabrics.

(888) 676-7746

hi@poppin.com

WARNING/DISCLAIMER

Listen up, daredevils! (And anyone trying to reach that top shelf). Do not stand on this product. Use only as intended. Failure to follow these instructions could result in property damage or personal injury.

©Poppin 2021

v01_Apr2021