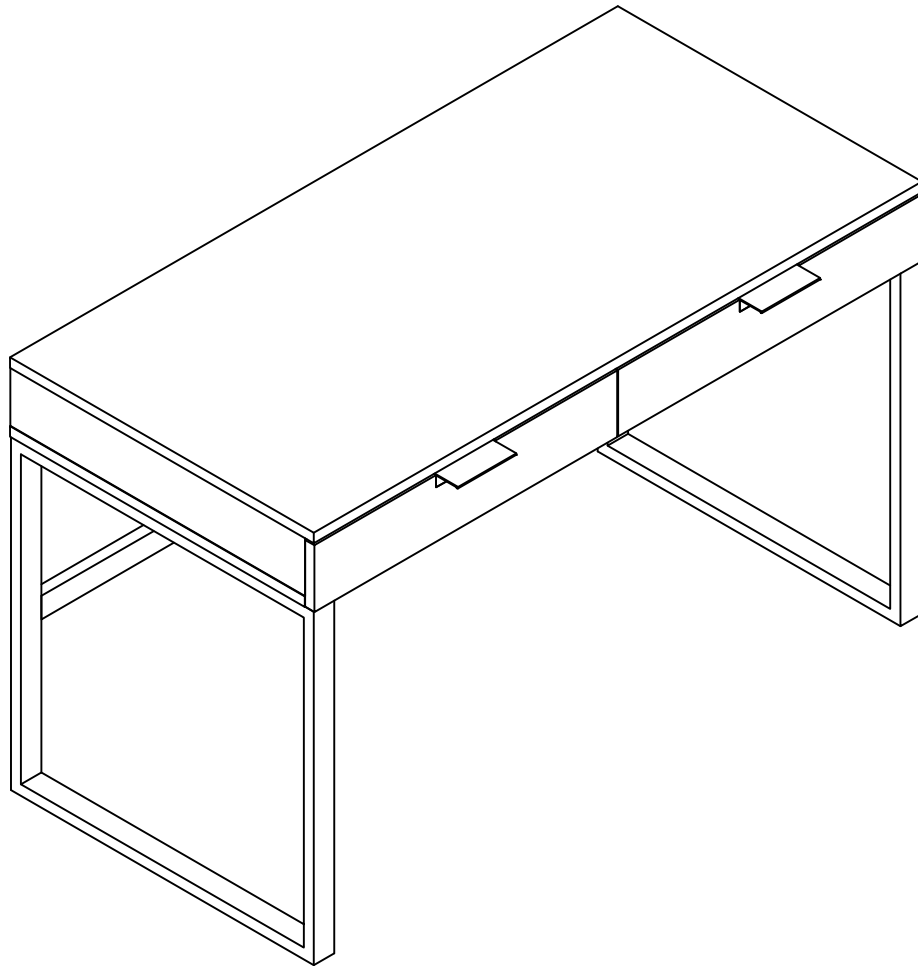
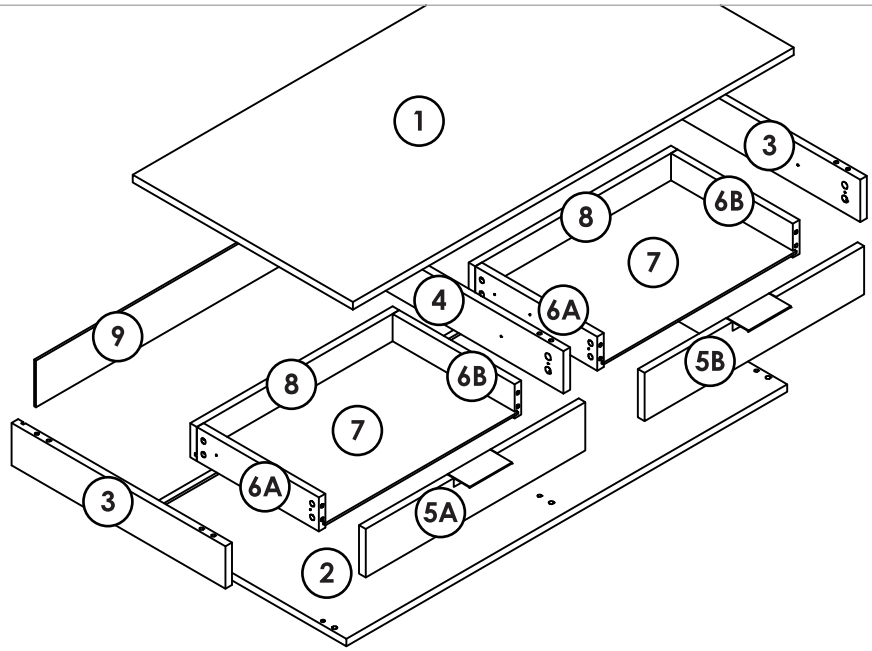


Home Office Wood Writing Desk

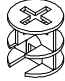
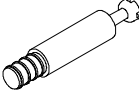
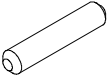



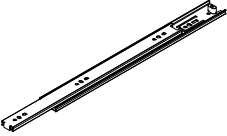
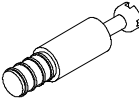

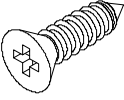
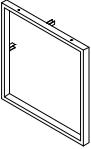
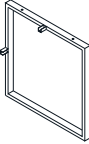
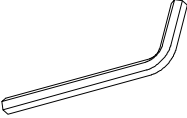
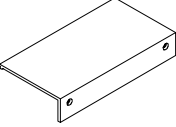
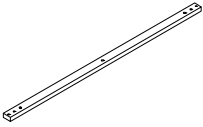
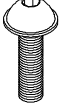

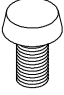


SURFACE PARTS INCLUDED


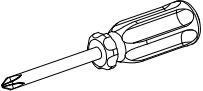
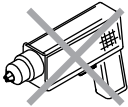
PARTS	QUANTITY
1	1
2	1
3	2
4	1
5A	1
5B	1
6A	2
6B	2
7	2
8	2
9	1



BASE PARTS + HARDWARE INCLUDED

A x12		B x12		C x12	
D x8		E x8		F x7	
G x4		H x16		I x16	
J x28		K1 x2		K2 x1	
M x1		N x2		O x1	
P x7		Q x7		R x4	

TOOLS NEEDED

		
---	---	---

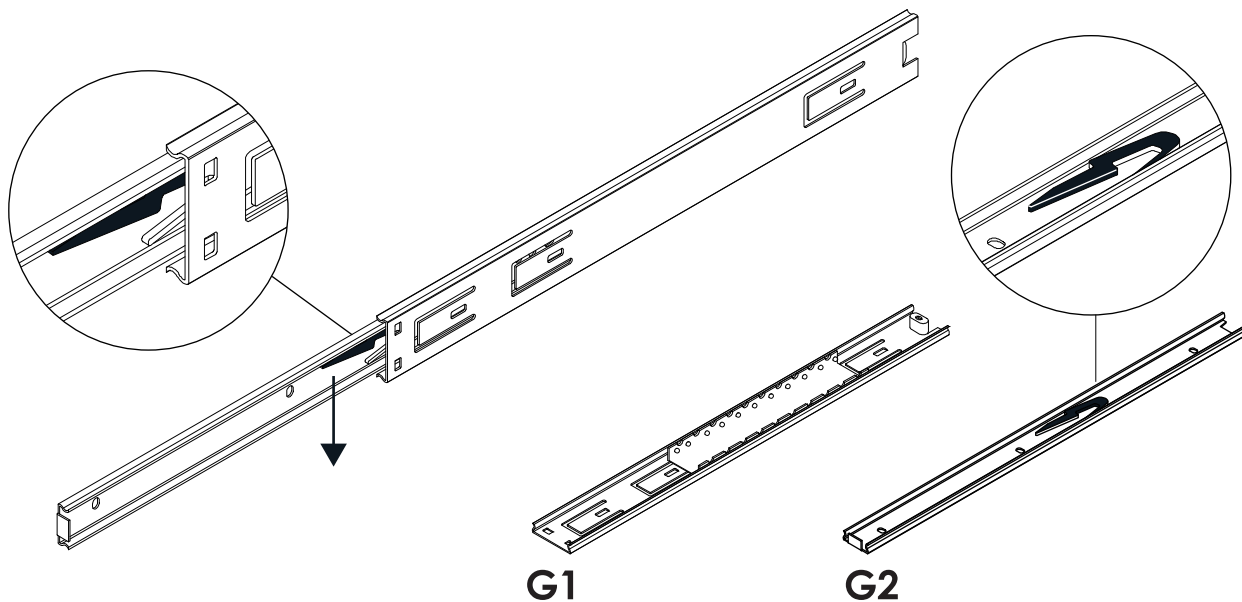
ASSEMBLY

1.

G x4



Depress the lever and pull the drawer runner into two parts



2.

D x8

E x8

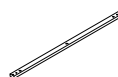
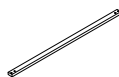
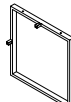
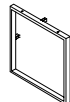
K1 x1

K2 x1

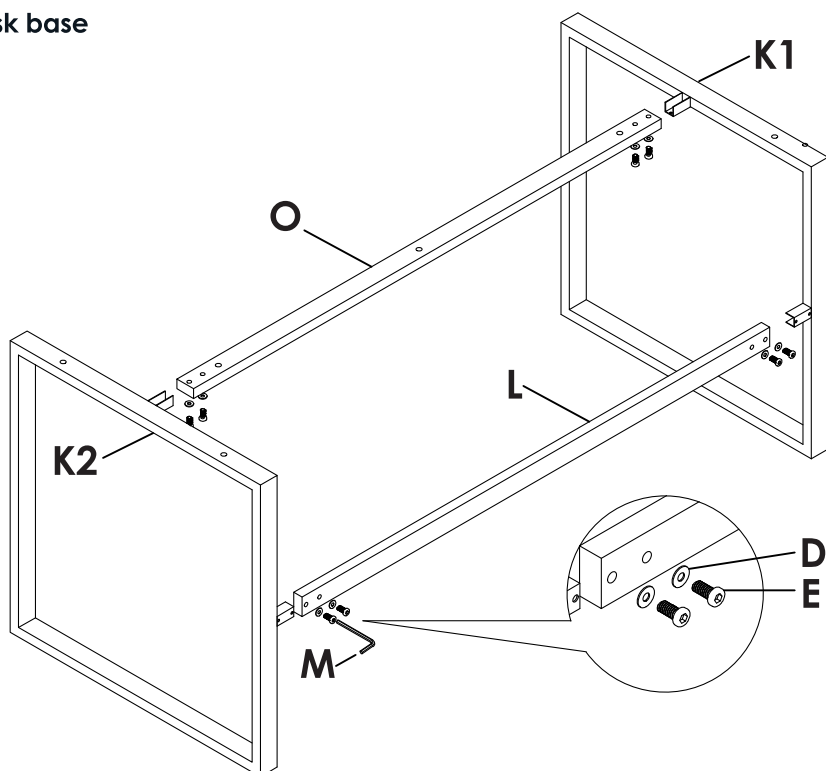
L x1

M x1

O x1



Assemble the desk base

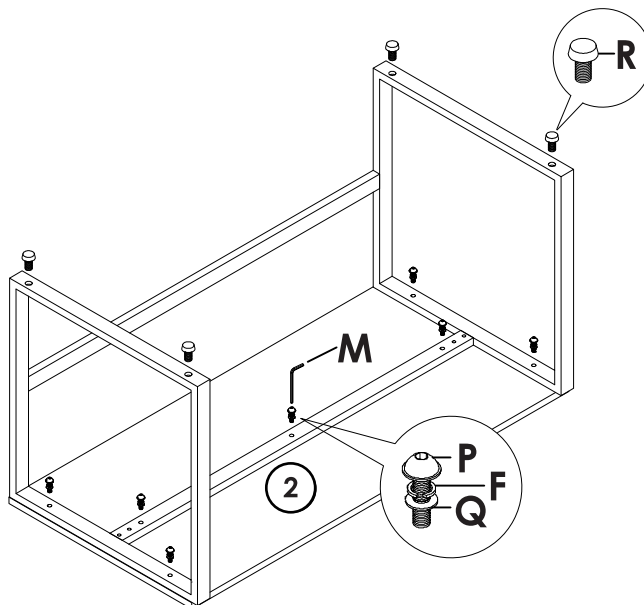


3.

P x7 Q x7 F x7 R x4 Mx1

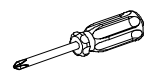


Install the Floor Glides
Attach Base to Surface

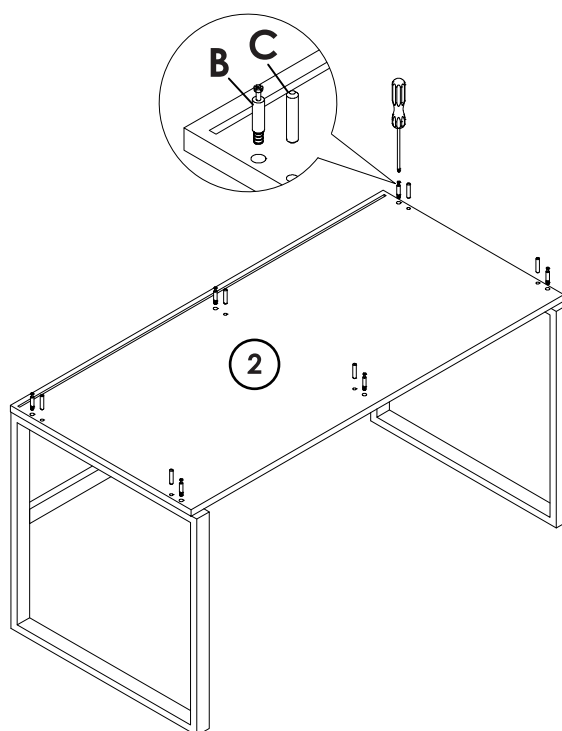


4.

B x6 C x6

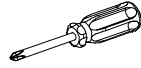


Turn upright
Install pins in Surface

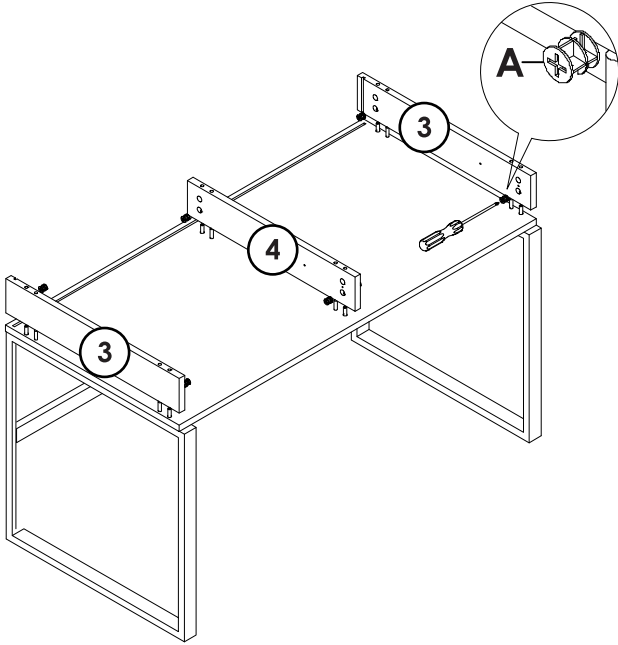


5.

A x6

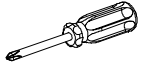


Slot side panels onto pins
Align, install, and tighten lower row of cam locks

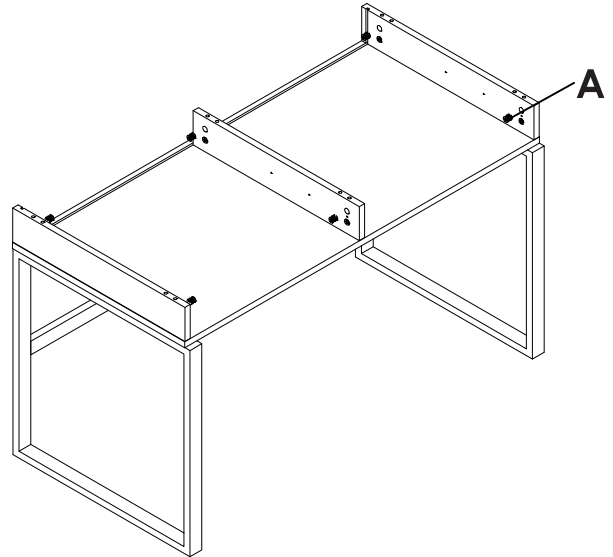


6.

A x6



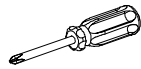
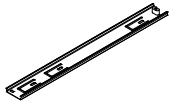
Align and install upper row of cam locks



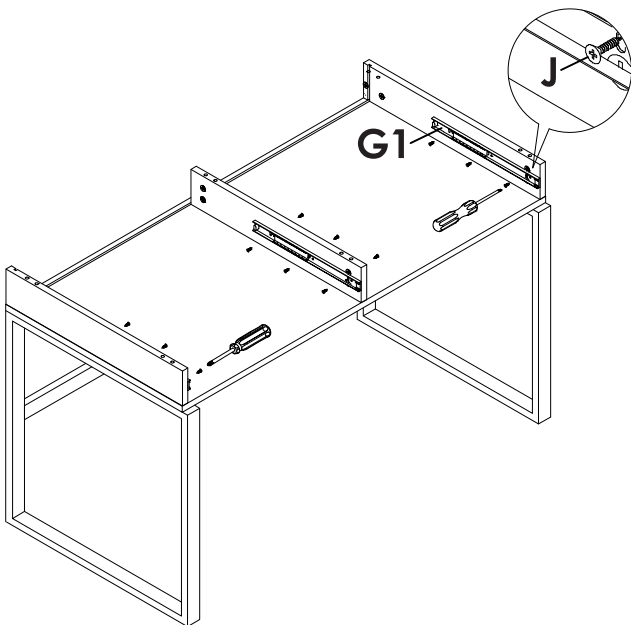
7.

G1 x4

J x12



Install first section of the drawer runners

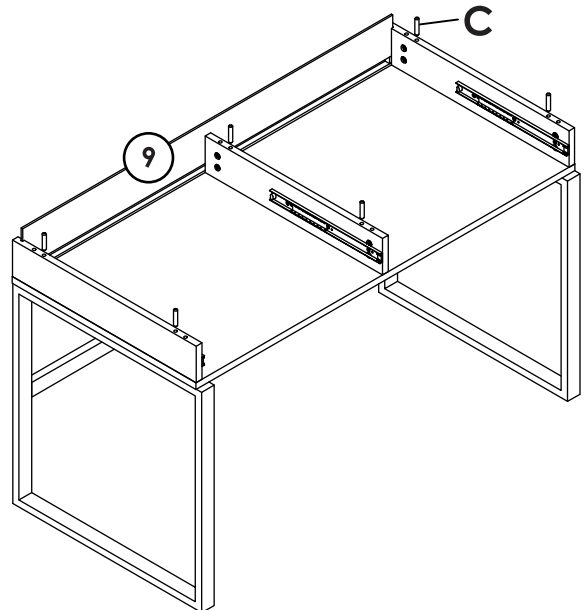


8.

C x6

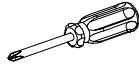


Slot in the rear panel
Install the dowel pins

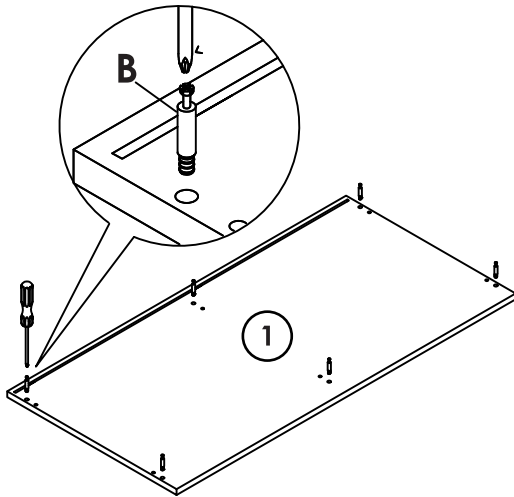


9.

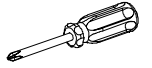
B x6



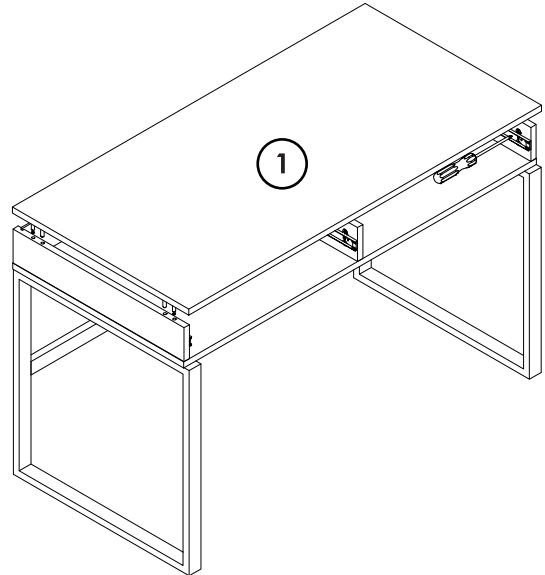
Install the cam lock pins in the Surface



10.

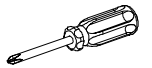


Lower Surface and pins into cam locks
Align and tighten cam locks

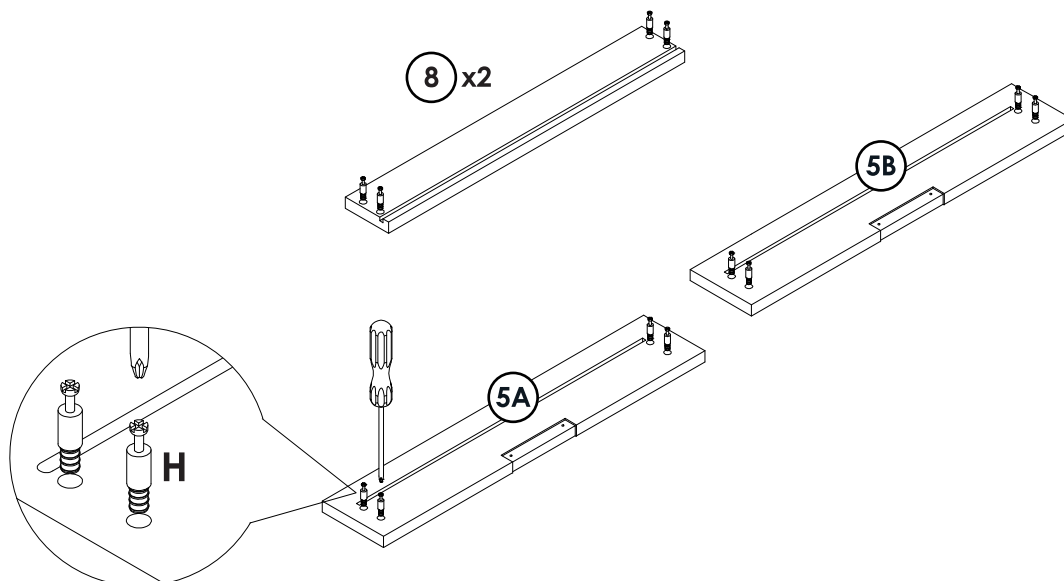


11.

H x16

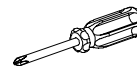


Install drawer pins on both drawer fronts and backs

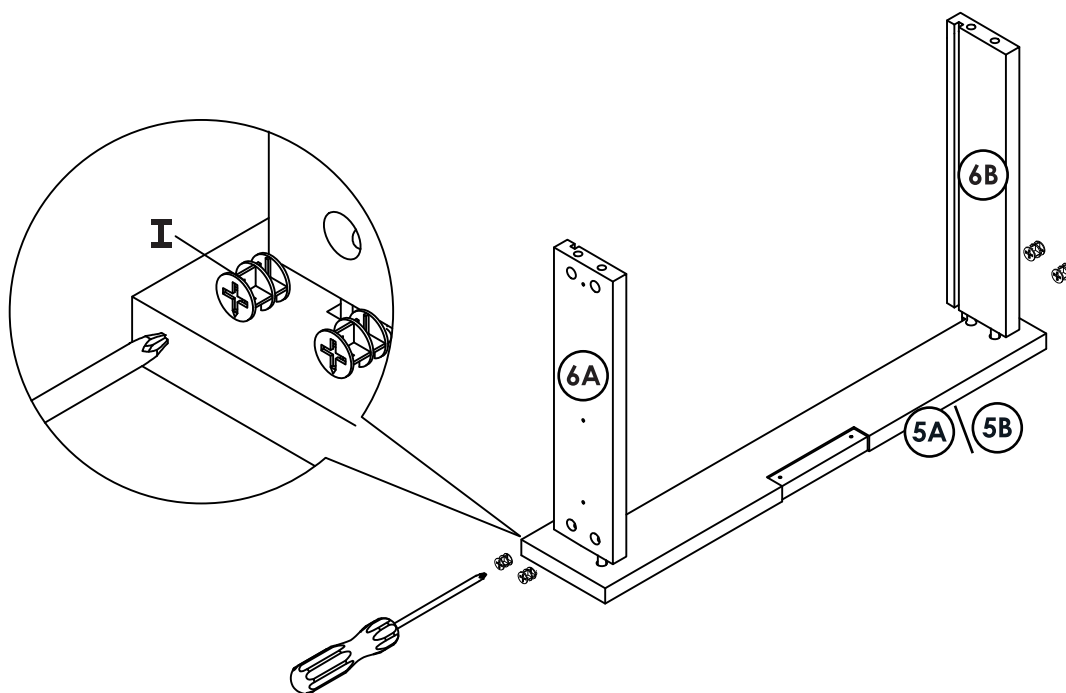


12.

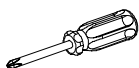
Ix8



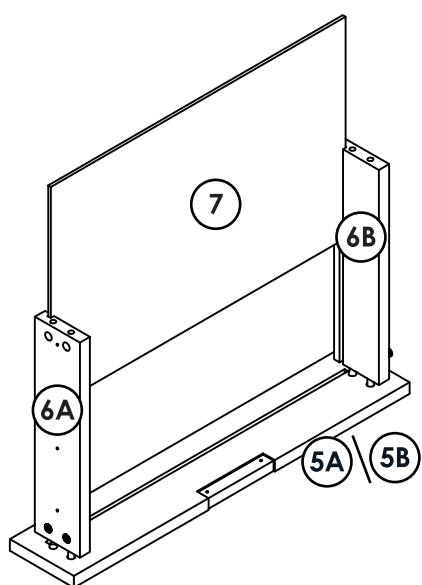
Align, install, and tighten cam locks on to both drawer fronts



13.

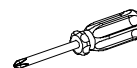


Slot in drawer bottoms to both drawer fronts

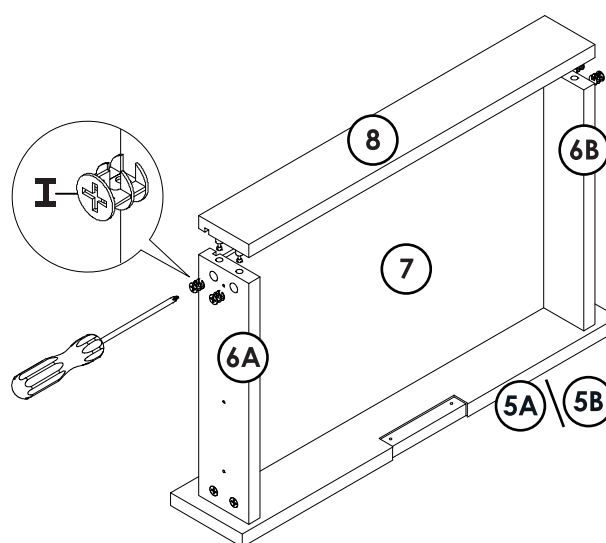


14.

Ix8



Install, align, and tighten cam locks on to both drawer backs

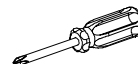
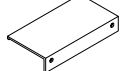


15.

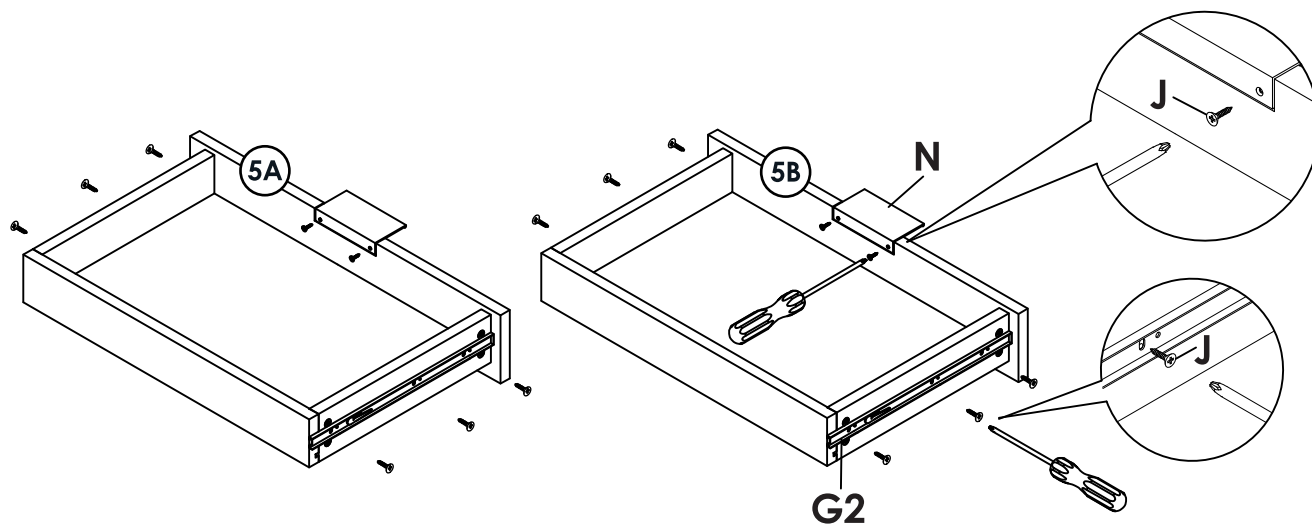
J x16

G2 x4

N x2



Install second section of drawer runners on both sides of both drawers.
Install drawer pulls on both drawer fronts.



16.

Flip the desk upright
Install the drawers by aligning the two runner sections

