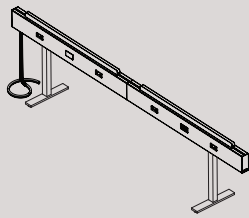


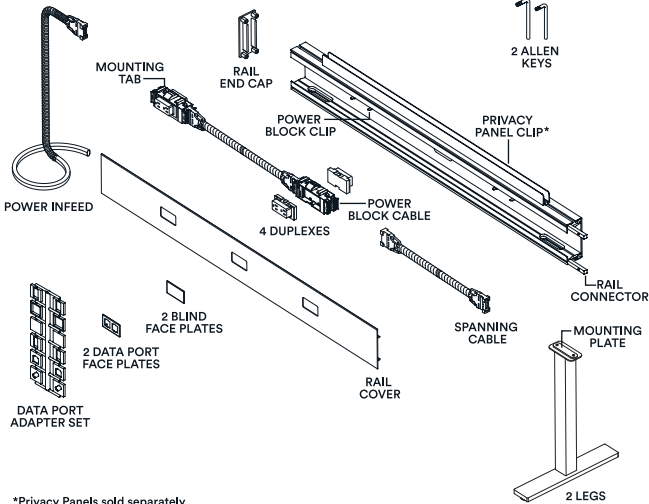
the power-through

Boom Power Rail



ASSEMBLY INSTRUCTIONS

Included in the boxes:



Tools Included:



2 ALLEN KEYS

*Privacy Panels sold separately

WARNING/DISCLAIMER

To reduce the risk of burns, fire, electric shock, or injury to persons:

1. 8Trac Power System must be hardwired by a licensed electrician
2. Use this system only for its intended use as described in these instructions. Do not use attachments not recommended by the manufacturer.
3. Never operate this furnishing if it has a damaged power entry, if it is not working properly, if it has been damaged, or exposed to water. Contact your Facilities Manager or Poppin, Inc. to report a problem and initiate a repair or return.
4. Never drop or insert any object into any opening.
5. Risk of Electric Shock - Connect this furnishing to a properly grounded outlet only.
6. For full warranty details, visit poppin.com

ABOUT POPPIN

Poppin's furniture and office supplies are designed with your success in mind. From a day-brightening Stapler to a game-changing Desk System, Poppin is the one-stop shop for creating inspiring, modern workspaces.

Designed by Poppin in NYC

Shop the complete collection of furniture at poppin.com

Poppin, Inc.
16 Madison Square West, 3rd Floor
New York, NY 10010

(888) 676-7746
hi@poppin.com
[#workhappy@poppin](https://www.poppin.com)

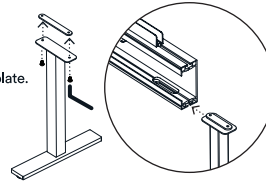
For patent or patent application
information visit poppin.com/patents
©Poppin 2020

v02_Jun2020

RAIL ASSEMBLY

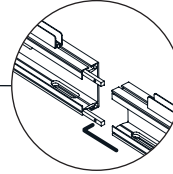
Leg Attachment

1. Use the allen key to loosely attach the mounting plate.
2. Slide the leg's channel plate into the rail channel.
3. Position the leg as illustrated based on the overall length of your Power Rail.
4. Tighten the screws firmly.
5. Repeat for all Power Rails.

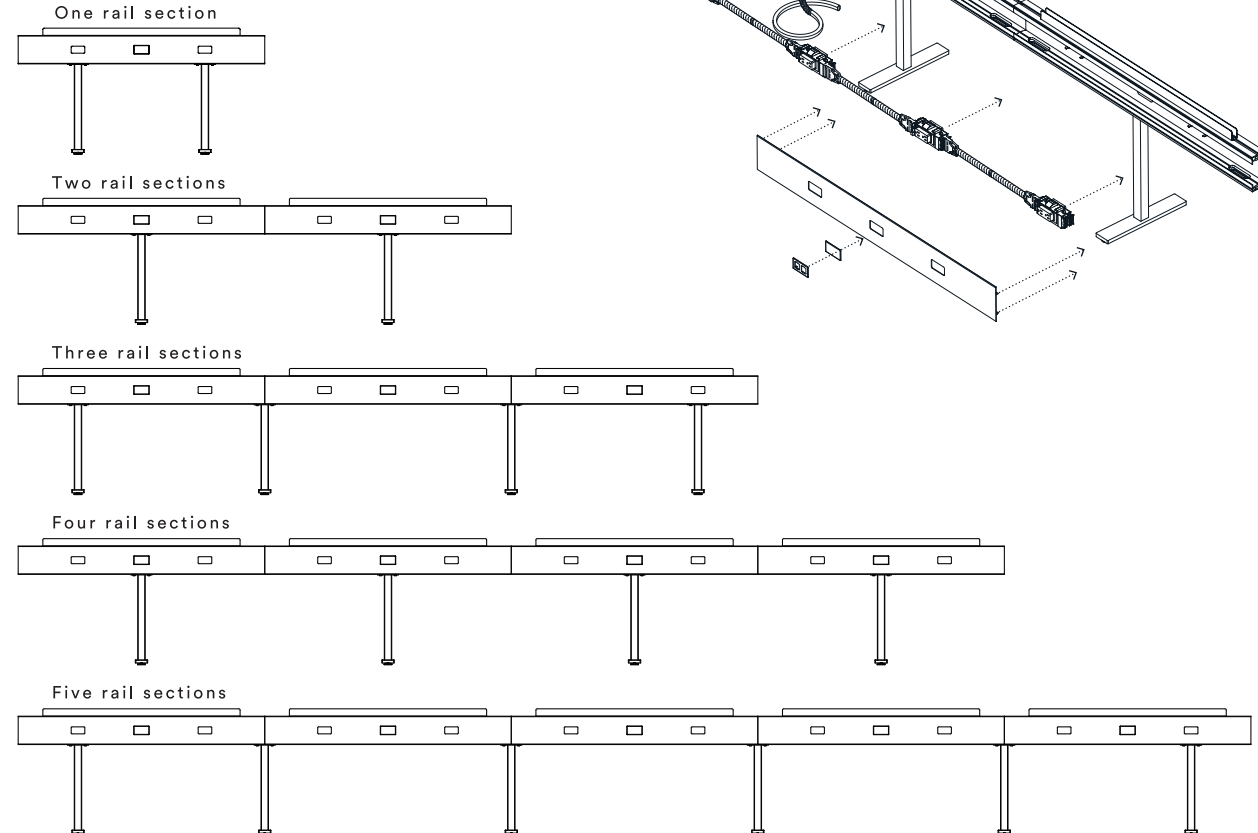


Rail Alignment

1. Remove and store the privacy panel clips (if not installing optional Privacy Panels).
2. Align the rails side to side.
3. Use the allen key to loosen 4 screws on 2 rail connectors.
4. Slide the rail connectors into each adjacent rail, tightening the rail connector screws.



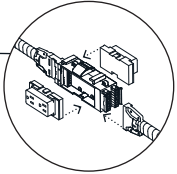
RECOMMENDED LEG PLACEMENT



POWER ASSEMBLY

Power Block Assembly

1. Slide the duplexes into each side of the power blocks.
2. Click the spanning cables to the power block cable connection points (choose either position).
3. Align the power block mounting tabs with the power block clip, which is pre-installed inside the rails.
4. Click each power block into place.



Power Infeed Connection

1. Thread the power infeed through the underside of the Power Rail.
2. Click the power infeed into any power block.

Power Rail Completion

1. Cover each end of the Power Rail with the rail end caps.
2. Slot the rail cover onto the rail.
3. Install data port or blind face plates as necessary.
4. Customize the data port face plates with frames from the data port adapter set.

