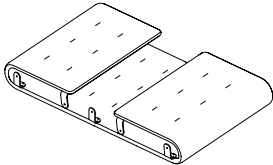


*the quiet time*

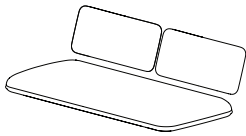
# QT Lounge High or Low Sofas

## ASSEMBLY INSTRUCTIONS

Included in the boxes:



SURROUND



SEAT + BACK PILLOWS



ALLEN WRENCH



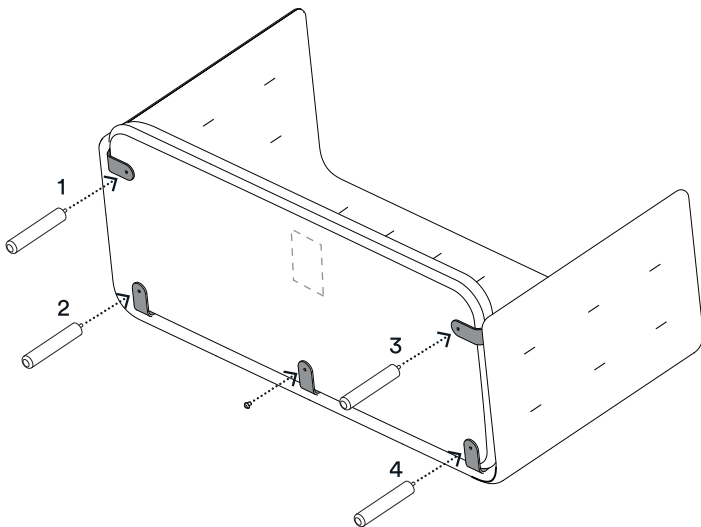
LEGS



SCREW

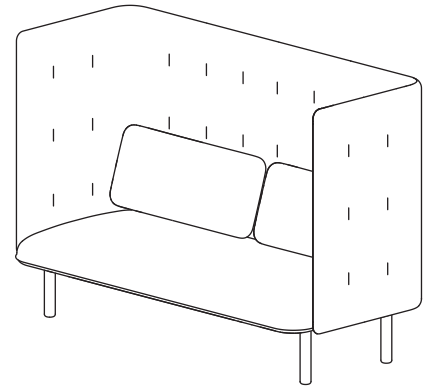
## ASSEMBLY

1. Align the seat and surround as shown below.
2. Screw in the legs following the numbered sequence.

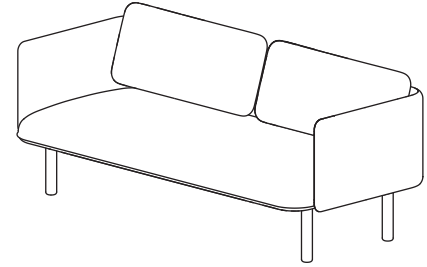


3. Use the allen wrench to install the screw.
4. Stand upright and drop in the back pillows.

## QT LOUNGE HIGH SOFA



## QT LOUNGE LOW SOFA



### ABOUT POPPIN

We're the easiest way to outfit your office. From our award-winning design to our helpful team of experts, we've built our brand to radically simplify the office furniture industry.

### CARE

We recommend annual professional upholstery cleaning for maximum long-term performance and best appearance. Spot-clean using an upholstery cleanser formulated for Polyester fabrics.

### 100% WORK HAPPINESS GUARANTEE

For full warranty details, visit [poppin.com](http://poppin.com)

### WARNING/DISCLAIMER

Listen up, daredevils! (And anyone trying to reach that top shelf). Do not stand on this product. Use only as intended. Failure to follow these instructions could result in property damage or personal injury.

Shop the complete furniture collection at [poppin.com](http://poppin.com)



Designed by Poppin in NYC

**Poppin, Inc.**  
1115 Broadway, 3rd Floor  
New York, NY 10010

(888) 676-7746  
[hi@poppin.com](mailto:hi@poppin.com)  
[#workhappy @poppin](https://www.instagram.com/workhappy_poppin)

For patent or patent application  
information visit [poppin.com/patents](http://poppin.com/patents)  
©Poppin 2018

v01\_Dec2018