

the chat up

Touchpoint Table

42 IN DIAMETER

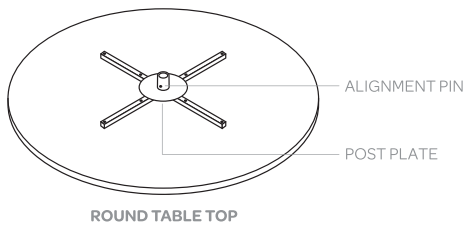
ASSEMBLY INSTRUCTIONS

Dreamt up by Poppin in NYC

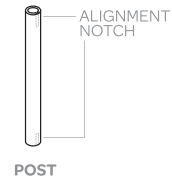
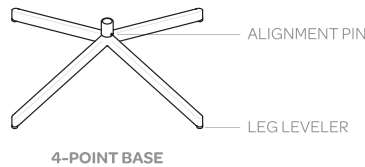
Wanna meet up after this?



Visit poppin.com/how-to for How-to Videos

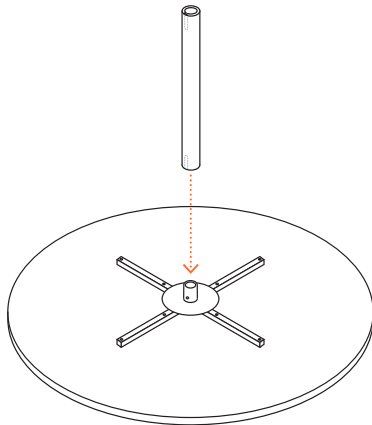


Included in the boxes:

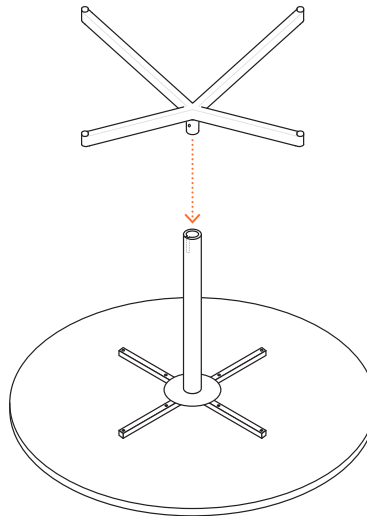


1 Place table top on floor with post plate facing up. Put some cardboard under the table to prevent scratches.

2 Attach post to post plate. Make sure to line up the alignment pin with the alignment notch. Press down firmly.

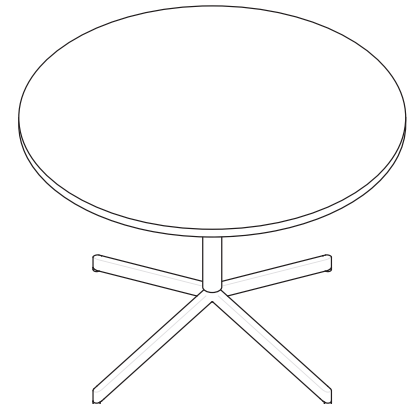


3 Insert leg base into post. Make sure to line up the alignment pin with the alignment notch. Press down firmly.



4 Grab a buddy and flip the table to its upright position and press down once more!

5 Adjust the leg levelers as needed.



ABOUT POPPIN

Poppin's furniture and office supplies are designed with your success in mind. From a day-brightening Stapler to a game-changing Desk System, Poppin is the one-stop shop for creating inspiring, modern workspaces.

CARE

Laminate tops are tough guys, but they look best with a little TLC. Wipe up spills quickly, then clean with warm, soapy water and a soft cloth. For stubborn dirt, you can't beat a Mr. Clean Magic Eraser.

100% WORK HAPPINESS GUARANTEE

For full warranty + care details, visit poppin.com

WARNING/DISCLAIMER

Heads up, daredevils! Failure to follow these assembly instructions can result in product failure, personal injury, or property damage. We recommend performing and annual check up on your table to ensure the legs, post and top are fitted tightly.

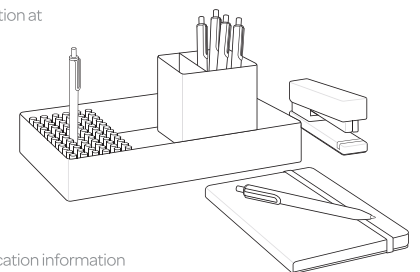
Shop the complete collection at poppin.com

Poppin, Inc.
New York, NY 10010

(888) 676-7746
workstylist@poppin.com
[#poppin](https://twitter.com/poppin) [#workhappy](https://twitter.com/workhappy)

For patent or patent application information
visit poppin.com/patents

©Poppin 2015



103759_INSTR_001

the chat up

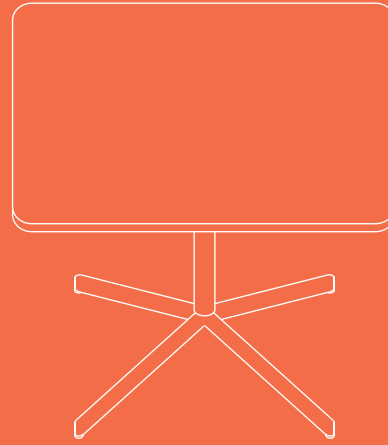
Touchpoint Table

36 IN x 36 IN

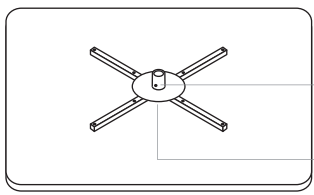
ASSEMBLY INSTRUCTIONS

Dreamt up by Poppin in NYC

Wanna meet up after this?

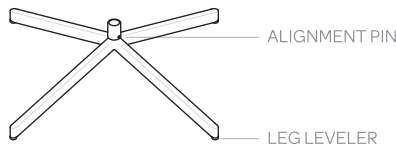


Visit poppin.com/how-to for How-to Videos

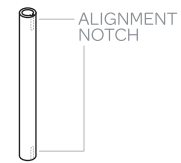


SQUARE TABLE TOP

Included in the boxes:



4-POINT BASE

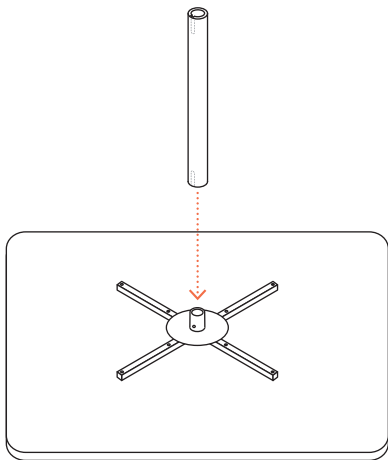


POST

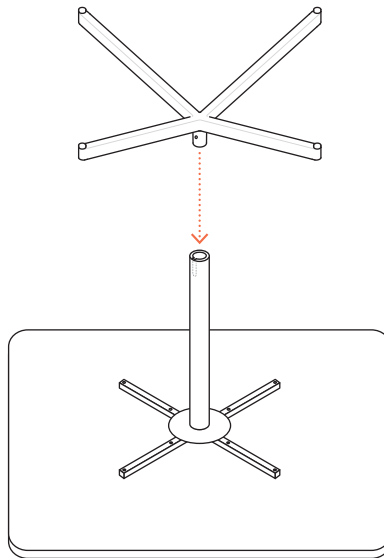


1 Place table top on floor with post plate facing up. Put some cardboard under the table to prevent scratches.

2 Attach post to post plate. Make sure to line up the alignment pin with the alignment notch. Press down firmly.

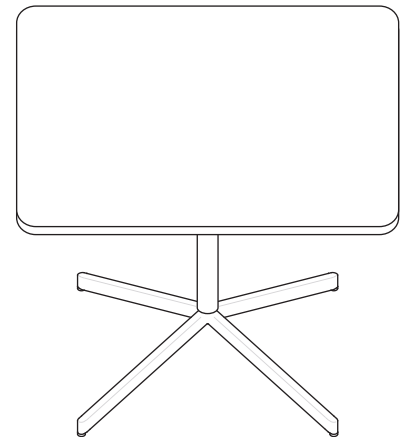


3 Insert leg base into post. Make sure to line up the alignment pin with the alignment notch. Press down firmly.



4 Grab a buddy and flip the table to its upright position and press down once more!

5 Adjust the leg levelers as needed.



ABOUT POPPIN

Poppin's furniture and office supplies are designed with your success in mind. From a day-brightening Stapler to a game-changing Desk System, Poppin is the one-stop shop for creating inspiring, modern workspaces.

CARE

Laminate tops are tough guys, but they look best with a little TLC. Wipe up spills quickly, then clean with warm, soapy water and a soft cloth. For stubborn dirt, you can't beat a Mr. Clean Magic Eraser.

100% WORK HAPPINESS GUARANTEE

For full warranty + care details, visit poppin.com

WARNING/DISCLAIMER

Heads up, daredevils! Failure to follow these assembly instructions can result in product failure, personal injury, or property damage. We recommend performing an annual check up on your table to ensure the legs, post and top are fitted tightly.

Shop the complete collection at poppin.com

Poppin, Inc.
New York, NY 10010

(888) 676-7746
workstylist@poppin.com
[#poppin](https://twitter.com/poppin) [#workhappy](https://www.instagram.com/poppin)

For patent or patent application information visit poppin.com/patents

©Poppin 2015

