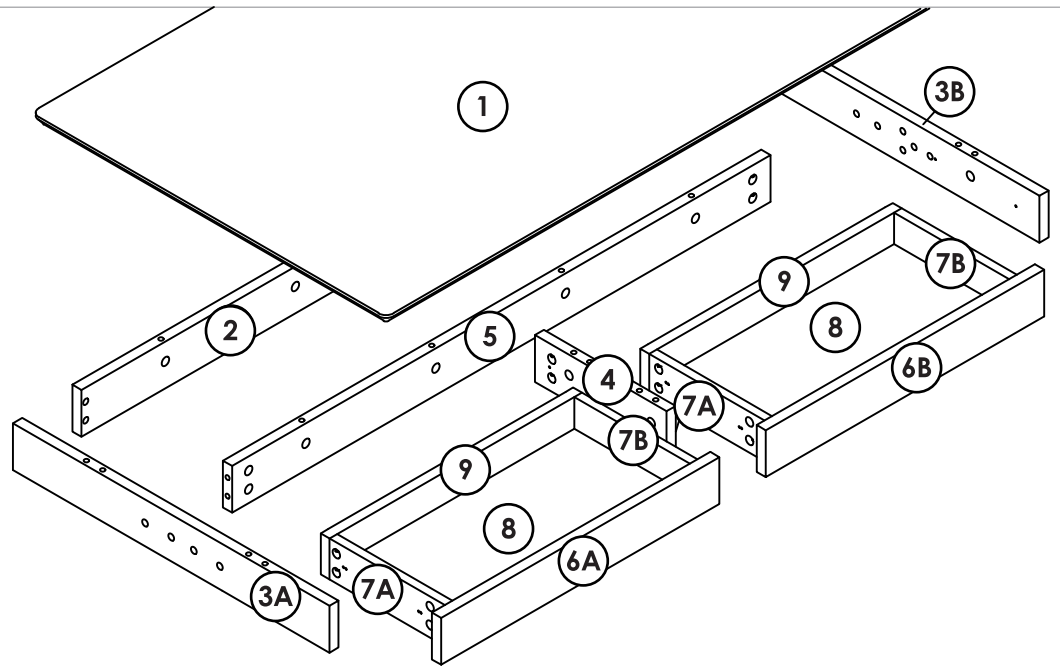


Home Office A-Frame Desk

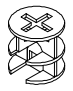
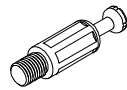
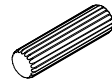
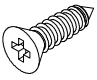
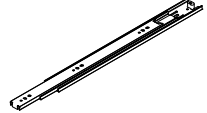

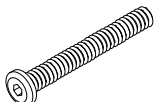
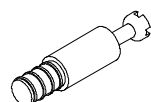


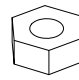
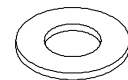


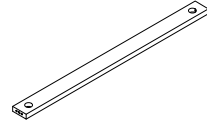
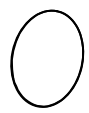
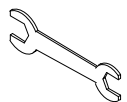


SURFACE PARTS INCLUDED

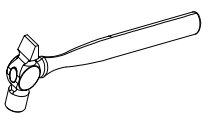
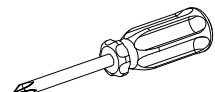
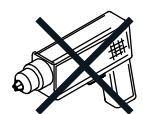
PARTS	QUANTITY
1	1
2	1
3A	1
3B	1
4	1
5	1
6A	1
6B	1
7A	2
7B	2
8	2
9	2



BASE PARTS + HARDWARE INCLUDED

A x24		B x24		C x10	
D x16		E x4		F x16	
G x8		H x16		I x2	
J x2		K x2		L x2	
M x1		N1 x1		O x1	
P x2		Q x1			

TOOLS NEEDED

		
---	---	---

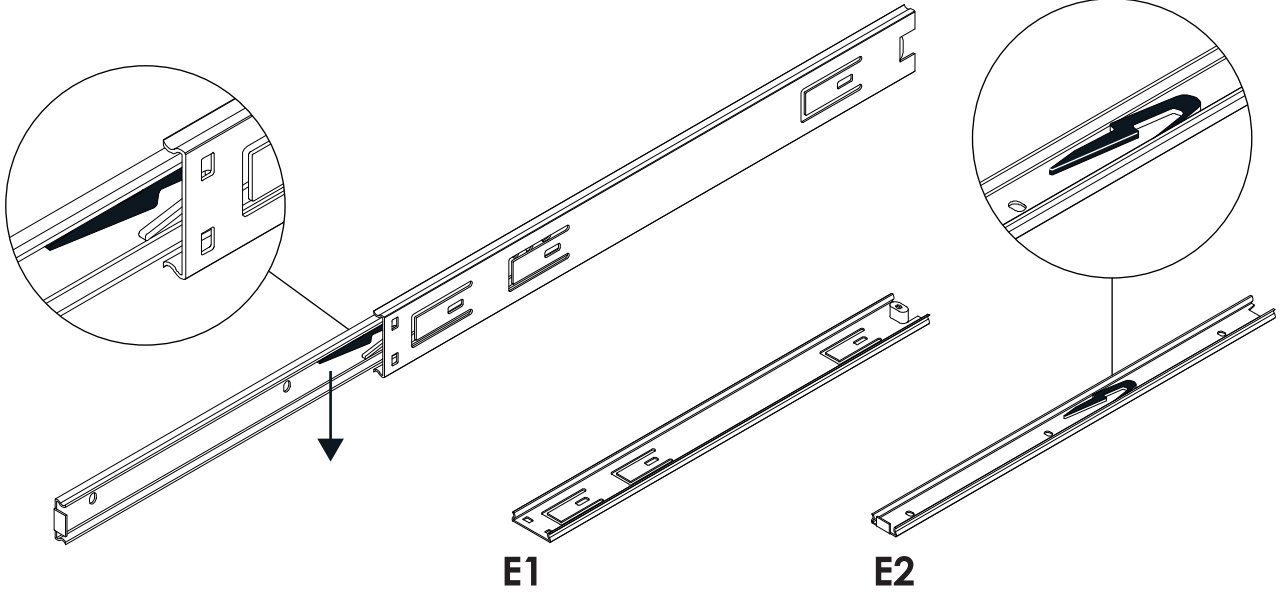
ASSEMBLY

1.

E x4

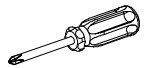


Depress the lever and pull the drawer runner into two parts

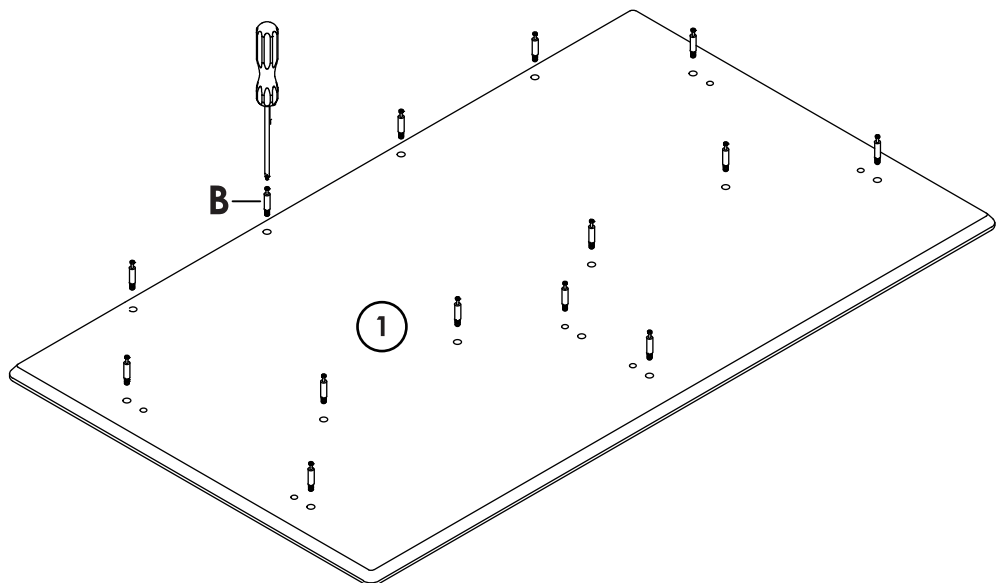


2.

B x14

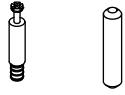


Install cam lock pins in the Surface

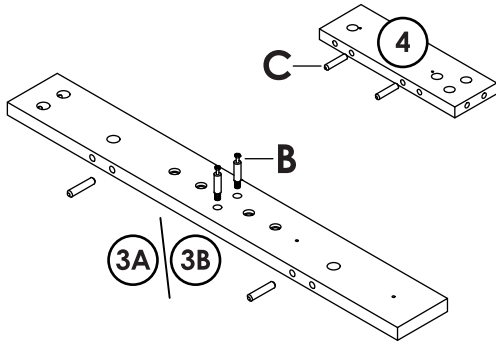


3.

B x4 C x6

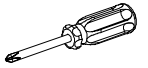


Install cam lock pins and dowels into framework

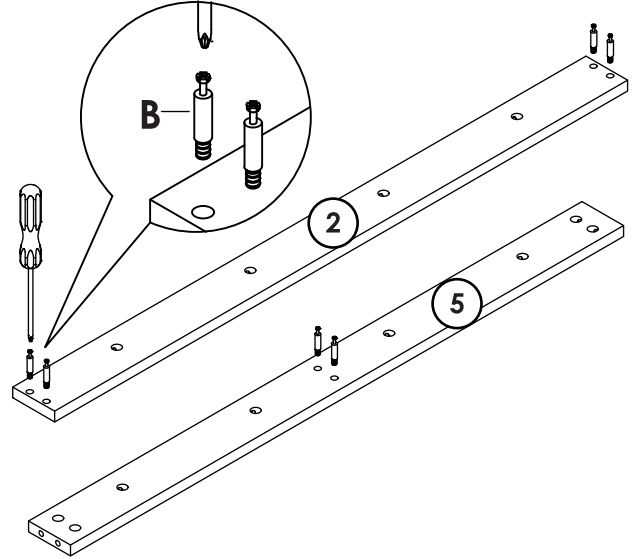


4.

B x6

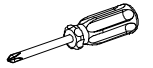


Install cam lock pins into framework

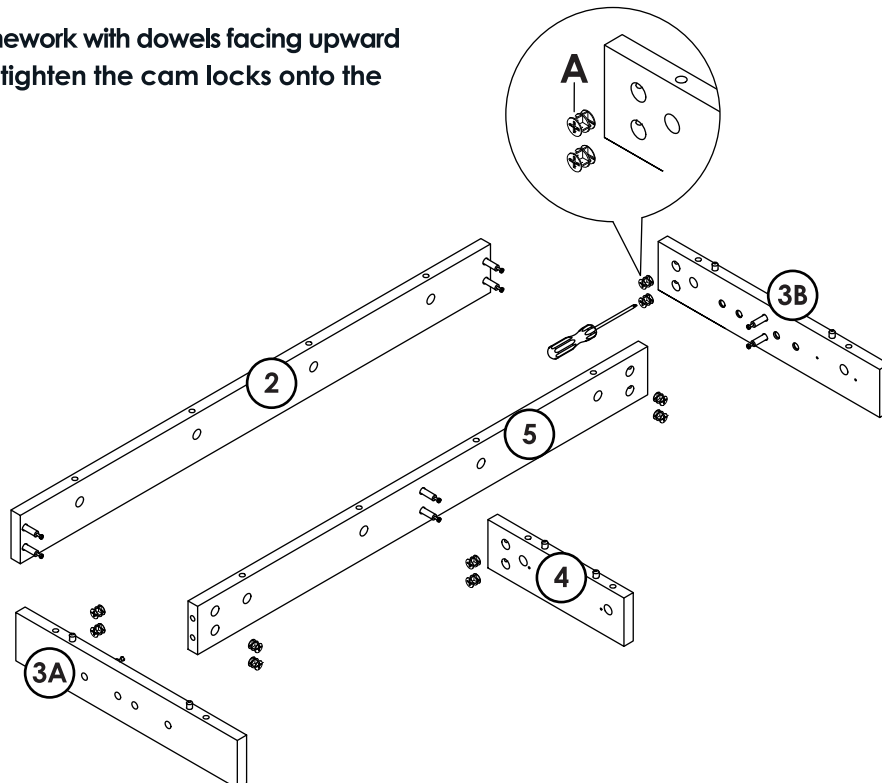


5.

A x10

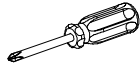


Assemble the framework with dowels facing upward
Align, install, and tighten the cam locks onto the
cam lock pins

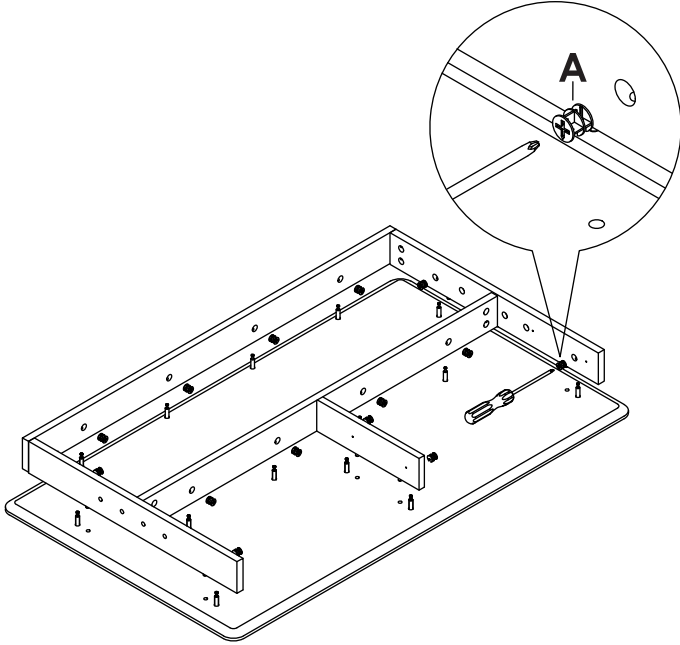


6.

A x14



Transfer the framework onto the desk top
Align, install, and tighten cam locks onto cam lock pins



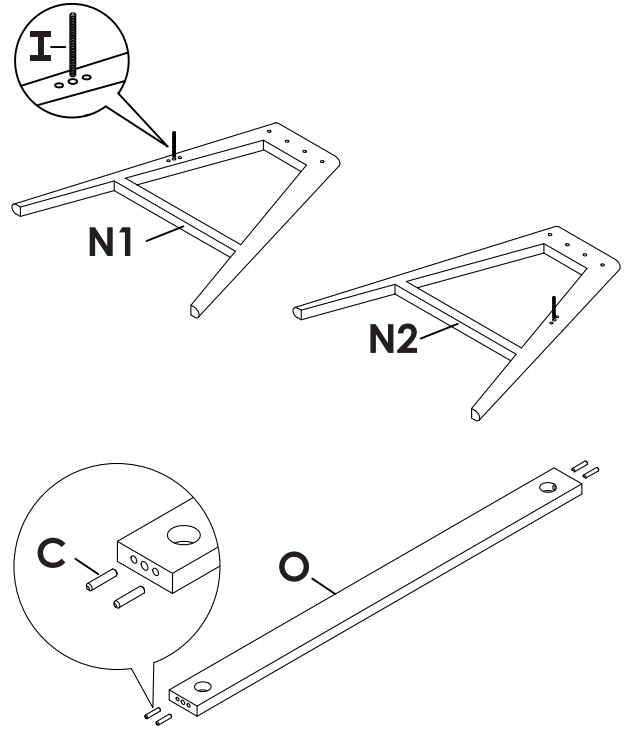
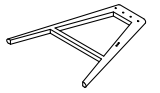
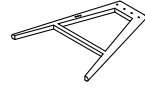
7.

C x4

I x2

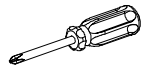
N1 x1

N2 x1



8.

J x2



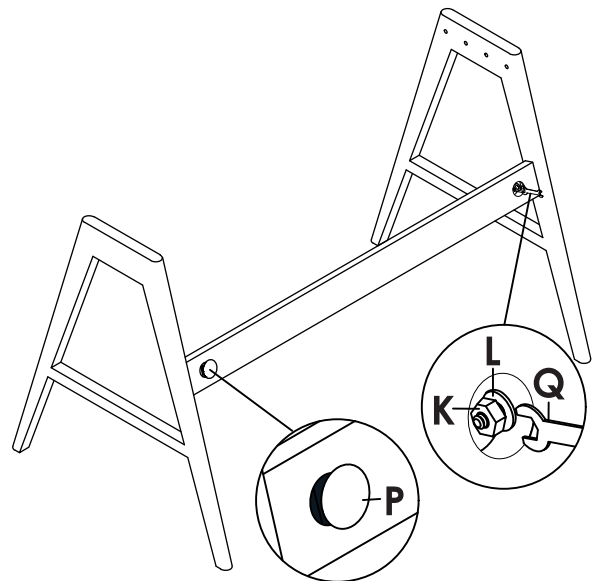
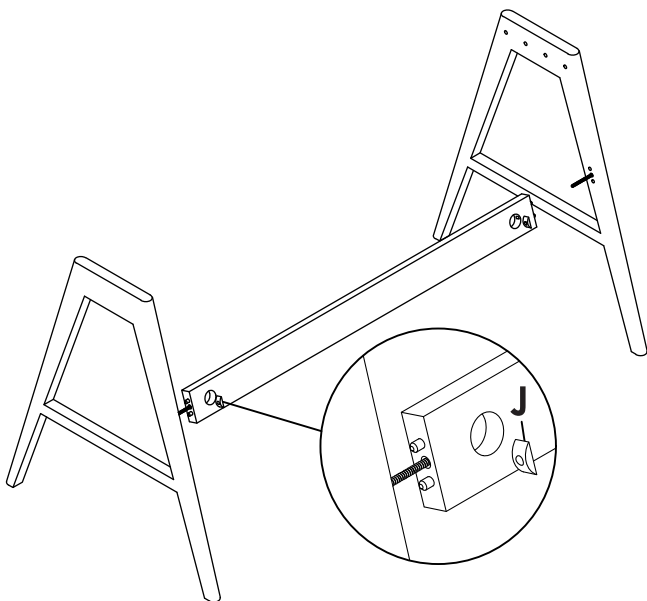
9.

K x2

L x2

Q x1

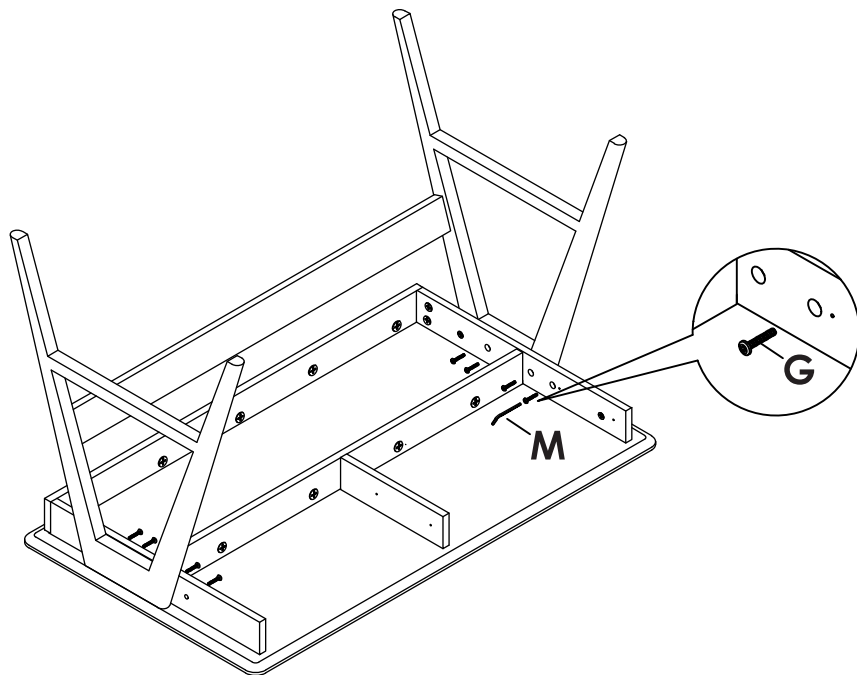
P x2



10.

G x8

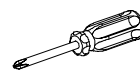
M x1



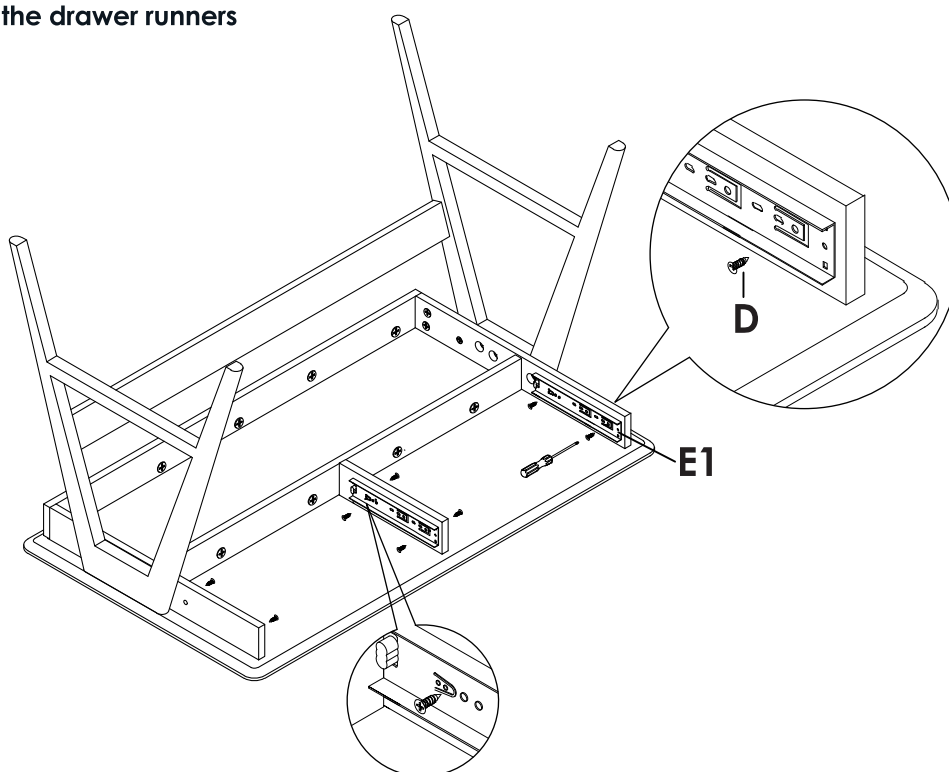
11.

D x8

E1 x4

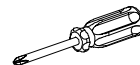


Install first section of the drawer runners

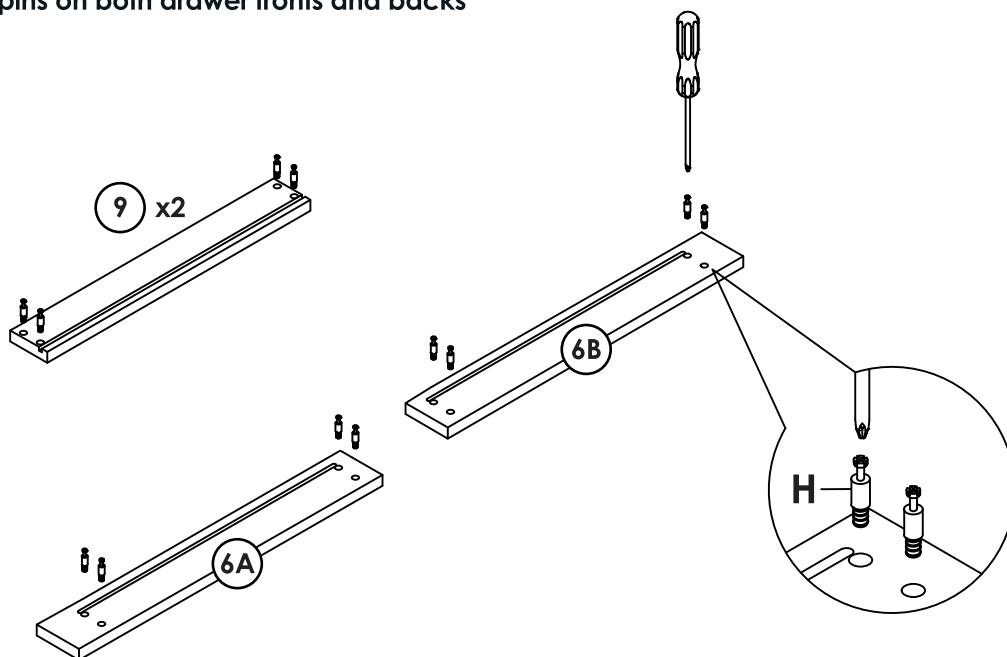


12.

H x16



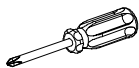
Install cam lock pins on both drawer fronts and backs



HEADS UP: Drawer fronts are left- and right-handed

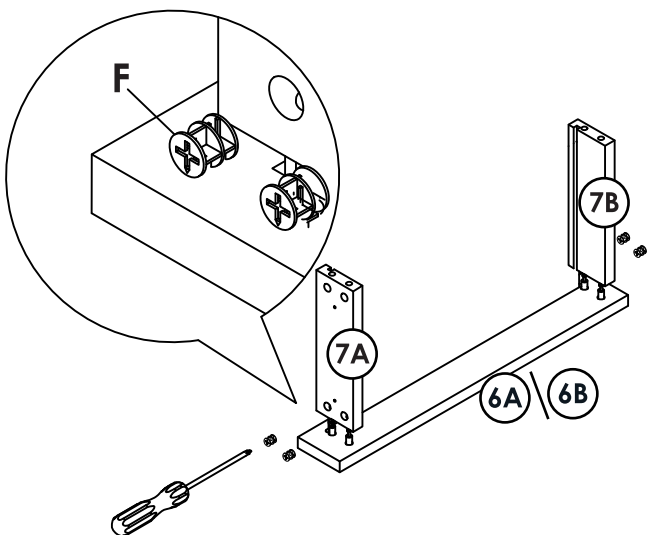
13.

F x8

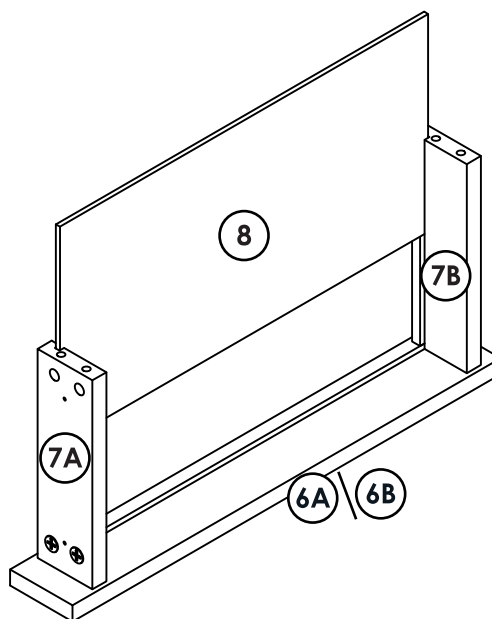


14.

Align, install, and tighten cam locks on to both drawer fronts

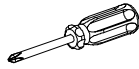


Slot in drawer bottoms to both drawer fronts

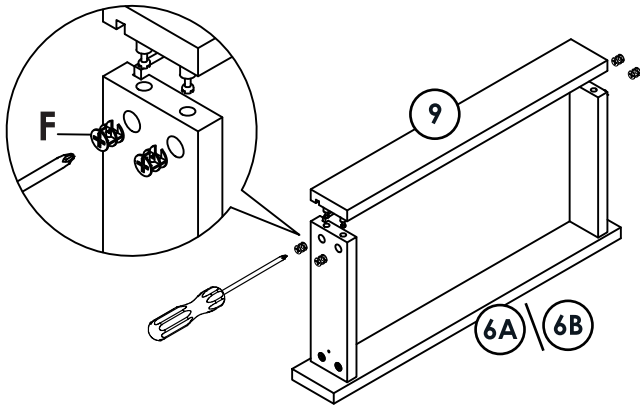


15.

F x8



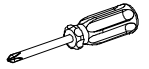
Align, install, and tighten cam locks on to both drawer backs



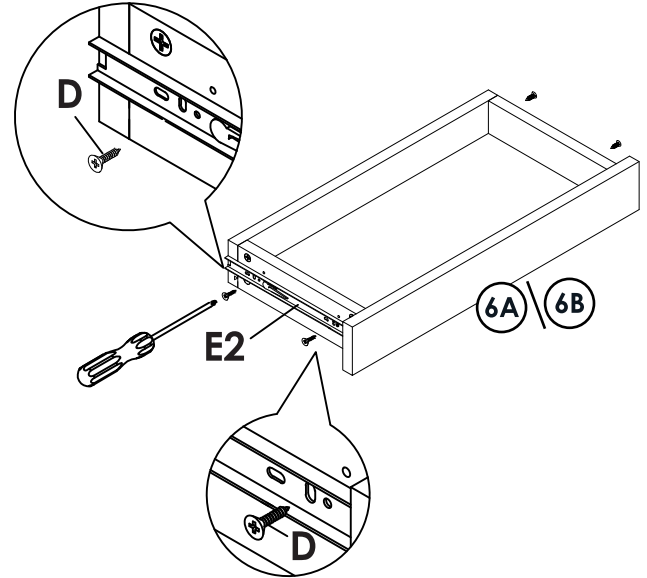
16.

D x8

E2 x4



Install second section of drawer runners on both sides of both drawers.



17.

Flip the desk upright
Install the drawers by aligning the two runner sections

