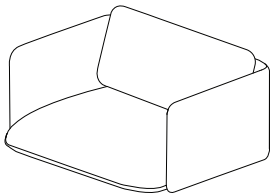


the quiet time

QT Lounge Low Chair

ASSEMBLY INSTRUCTIONS

Included in the boxes:



SEAT + BACK PILLOW + SURROUND



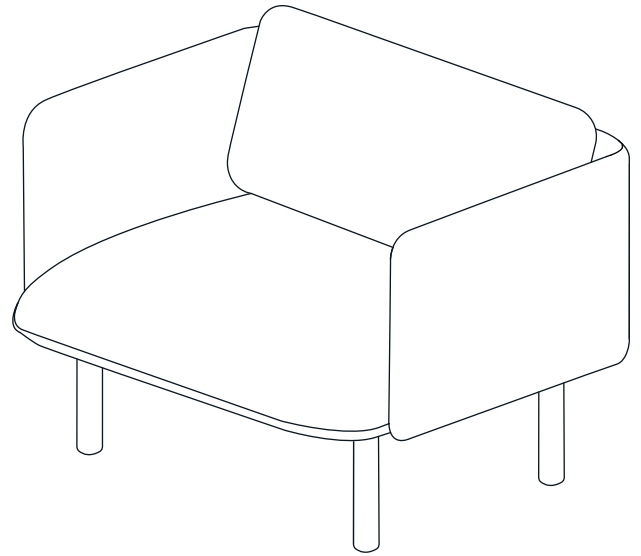
LEGS + WASHERS



SPACERS



I've got your back.



ABOUT POPPIN

Poppin's furniture and office supplies are designed with your success in mind. From a day-brightening Stapler to a game-changing Desk System, Poppin is the one-stop shop for creating inspiring, modern workspaces.

CARE

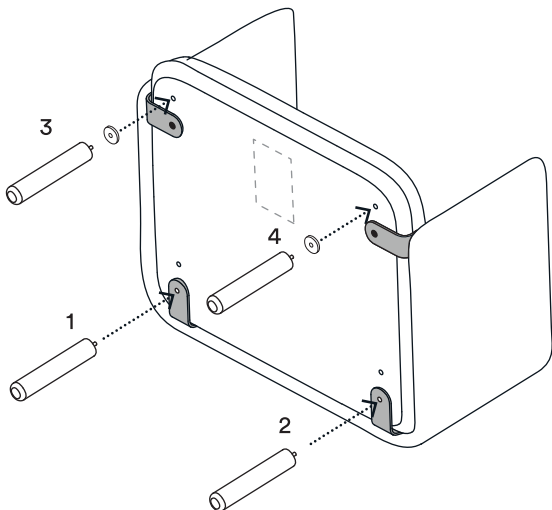
Doing a little dirty work? Soak up the spill and then blot with warm water + mild soap.

100% WORK HAPPINESS GUARANTEE

For full warranty details, visit poppin.com

ASSEMBLY

1. Screw in the back legs first, following the numbered sequence.
2. Screw in the front legs, washer, and spacer following the numbered sequence.



WARNING/DISCLAIMER

Listen up, daredevils! (And anyone trying to reach that top shelf). Do not stand on this product. Use only as intended. Failure to follow these instructions could result in property damage or personal injury.

Shop the complete furniture collection at poppin.com



Designed by Poppin in NYC

Poppin, Inc.
16 Madison Sq West, 3rd Floor.
New York, NY 10010

(888) 676-7746
hi@poppin.com
[@workhappy](https://www.instagram.com/workhappy) [@poppin](https://www.facebook.com/poppin)

For patent or patent application information visit poppin.com/patents
©Poppin 2019

v01_Sep2019