

the up-the-wall

Wall Collection: Pocket, Cup, Shelf

MOUNTING INSTRUCTIONS

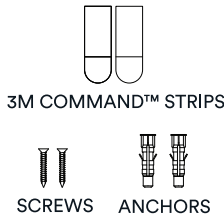
Comes with:



MAGNETIC WALL PLATE



WALL POCKET
(CUP or SHELF)

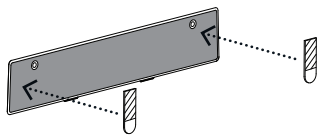


3M COMMAND™ STRIPS

SCREWS ANCHORS

3M Command™ Strips

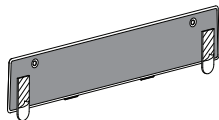
1. Separate the magnetic wall plate from your wall pocket, cup or shelf. Peel away the strips' red liners and place the Command™ Strip on the wall plate. Apply pressure for about 30 seconds.



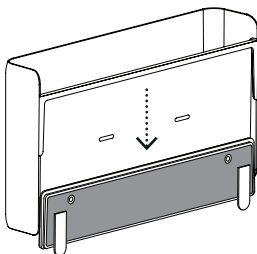
HEADS UP!

Before applying strips to the wall surface, spot-clean with rubbing alcohol. Other cleaners might leave a slippery residue.

2. Peel away the black liner and place the wall plate on the wall. Apply pressure for about 30 seconds.

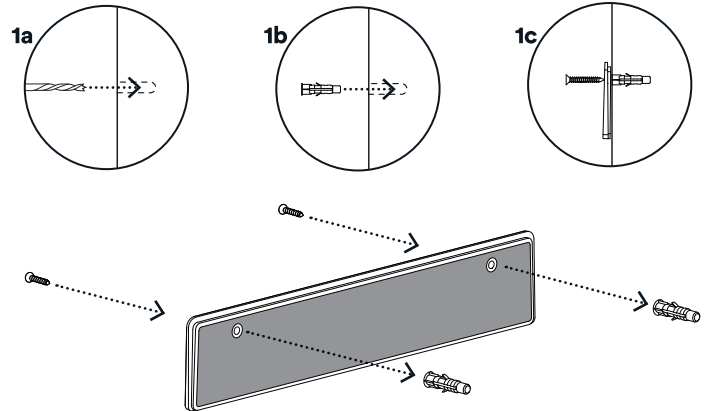


3. Leave the strips and plate to adhere thoroughly for about 1 hour and then slot the pocket, cup or shelf onto the wall plate. It's ready for loading.

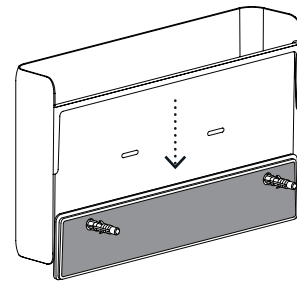


DRY WALL SCREWS

1. Separate the magnetic wall plate from your wall pocket, cup or shelf. Use the wall plate to mark pilot hole locations.
 - 1a. Using a 7/32" bit, drill a pilot hole in the dry wall. Repeat for second hole, ensuring the alignment is level.
 - 1b. Using a hammer, gently tap the screw anchors into the pilot holes.
 - 1c. Screw the wall plate into the anchors.



2. Slot the pocket onto the wall plate. It's ready for loading.



ABOUT POPPIN

Poppin's furniture and office supplies are designed with your success in mind. From a day-brightening Stapler to a game-changing Desk System, Poppin is the one-stop shop for creating inspiring, modern workspaces.

CARE

Doing a little dirty work? Soak up the spill and then blot with warm water + mild soap.

100% WORK HAPPINESS GUARANTEE

For full warranty details, visit poppin.com

WARNING/DISCLAIMER

Listen up, daredevils! (And anyone trying to reach that top shelf). Do not stand on this product. Use only as intended. Failure to follow these instructions could result in property damage or personal injury.

Poppin, Inc.
1115 Broadway, 3rd Floor
New York, NY 10010

(888) 676-7746
hi@poppin.com
[@workhappy @poppin](https://www.instagram.com/workhappy)

For patent or patent application information visit poppin.com/patents
©Poppin 2018

v01_Apr2019