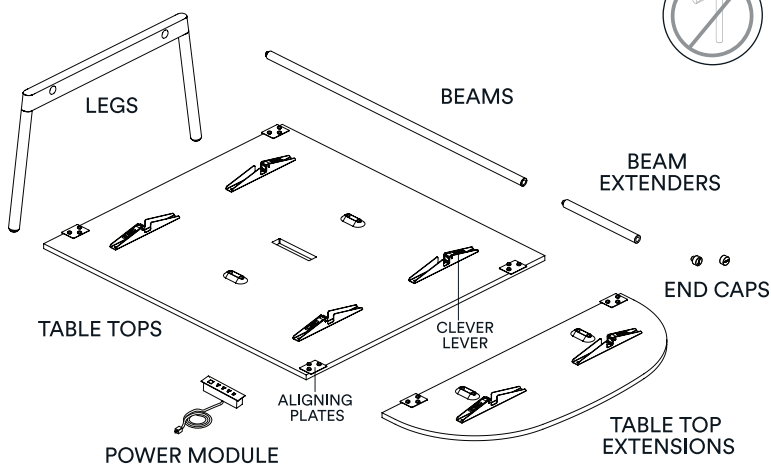


the infinite potential

Series A Scale Conference Table

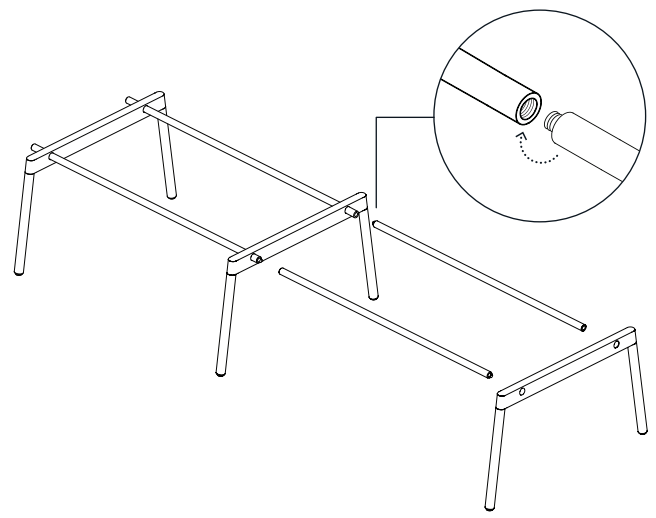
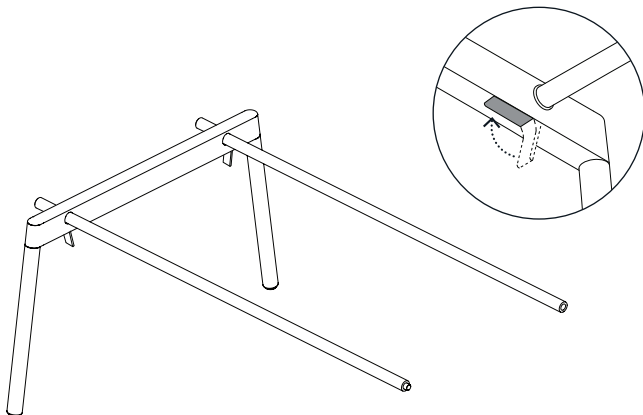
ASSEMBLY INSTRUCTIONS

Included in the boxes:

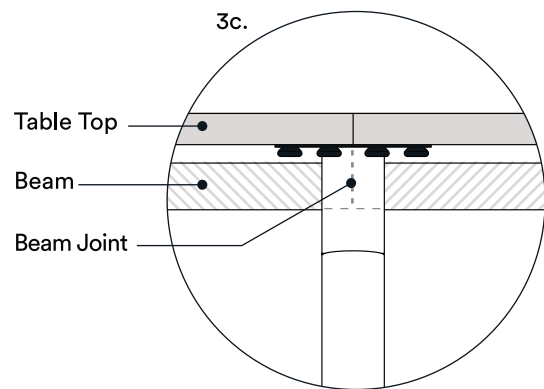


ASSEMBLY

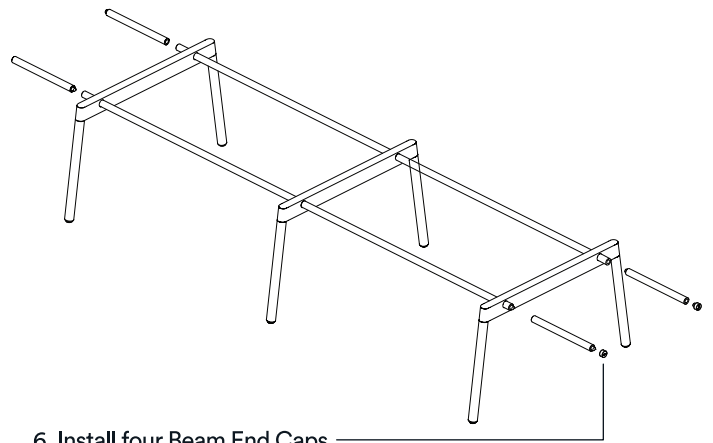
- Grab a buddy. Stand one leg upright and insert the beams through the leg, with about 1" overhang.
- Lock the Clever Levers to secure the two beams in place.



- Install the next leg, leaving about 1" protruding through the leg.
 - If this is the last leg in the installation, lock the Clever Levers. Move to Step 5.
 - If this is not the last leg in the installation, screw in the next set of beams.
 - Slide the leg over the joint created between the beams. Lock the Clever Levers.



- If this is not the last leg in the installation, repeat steps 3b and 3c.
 - If this is the last leg in the installation, lock the Clever Levers. Move to Step 5.
- If you purchased the Table Top Extensions, screw on the beam extenders.
 - If not, go to Step 6.

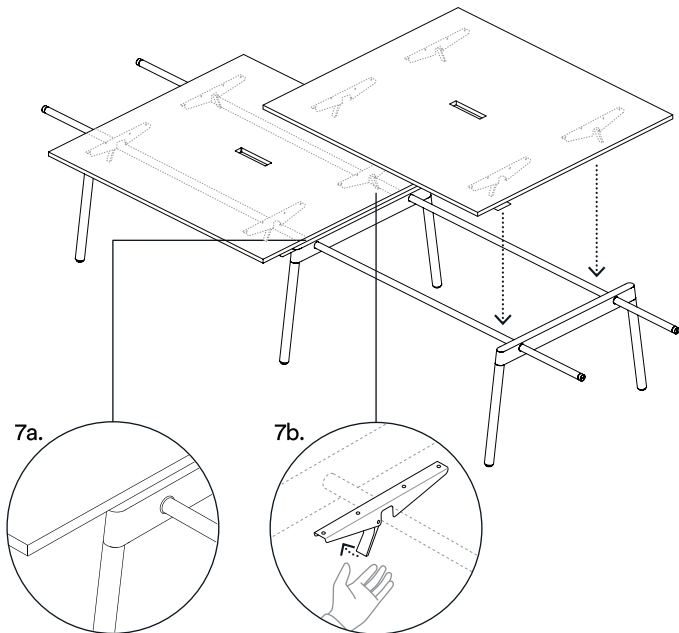


- Install four Beam End Caps.

7. Lower the tops onto the beams.

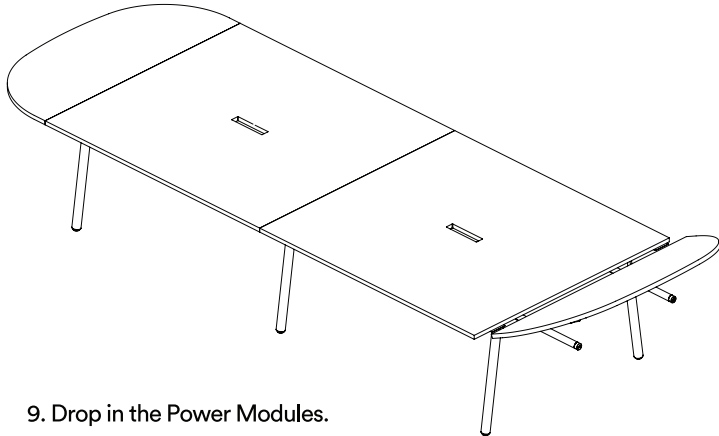
7a. If there are multiple table tops, shift each top to rest partially on all central leg frames.

7b. Lock the Clever Levers.

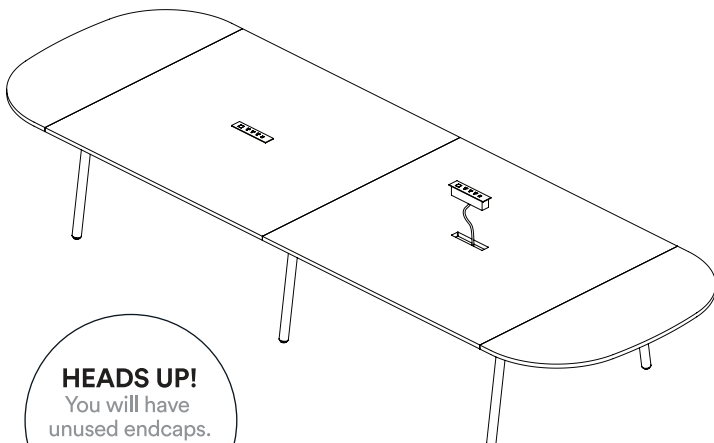


8. Install Table Top Extensions last, being sure to lock the Clever Levers.

8a. If you did not purchase Table Top Extensions, unscrew the aligning plates from both ends of the table.



9. Drop in the Power Modules.

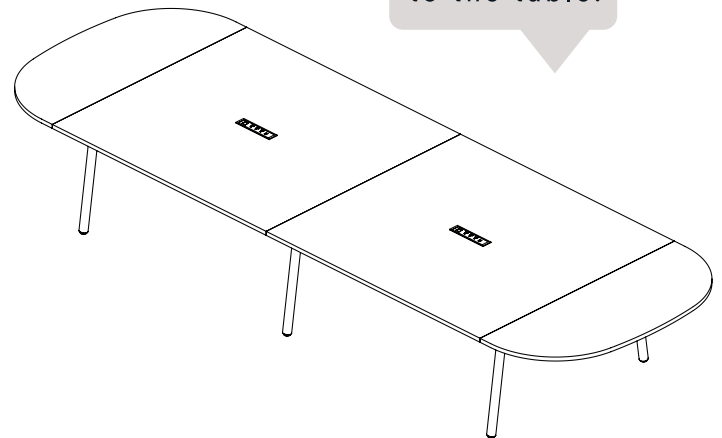


HEADS UP!

You will have unused endcaps.



I bring a lot to the table.



ABOUT POPPIN

We're the easiest way to outfit your office. From our award-winning design to our helpful team of experts, we've built our brand to radically simplify the office furniture industry.

CARE

Wipe clean with soap, water and a soft cloth. Use a Scuff Removing Eraser to remove stubborn scuffs from the metal frame or laminate surface.

100% WORK HAPPINESS GUARANTEE

For full warranty details, visit poppin.com

WARNING/DISCLAIMER

Listen up, daredevils! (And anyone trying to reach that top shelf). Do not stand on this product. Use only as intended. Failure to follow these instructions could result in property damage or personal injury.

Shop the complete furniture collection at poppin.com



Designed by Poppin in NYC

Poppin, Inc.
1115 Broadway, 3rd Floor
New York, NY 10010

(888) 676-7746
hi@poppin.com
[@workhappy](https://twitter.com/workhappy) [@poppin](https://www.instagram.com/poppin)

For patent or patent application information visit poppin.com/patents
©Poppin 2018

v01_Dec2018