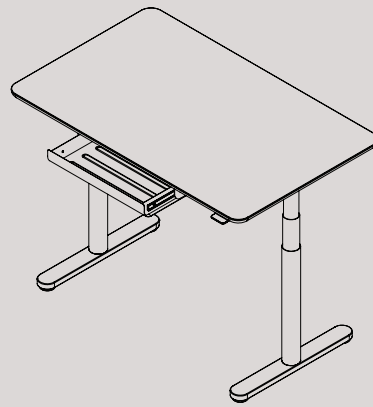


Raise Pencil Drawer

INSTALLATION INSTRUCTIONS

*Shown on Poppin's Raise Desk

**Install with desk upright if preferred



Included in the box:

☿ ☿ ☿ ☿
SCREWS

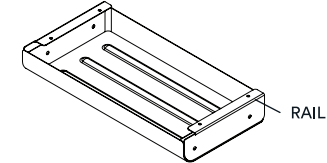
Tools needed:



PHILLIPS-HEAD
SCREWDRIVER



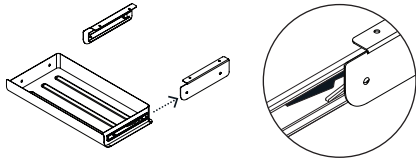
PILOT HOLE
TEMPLATE



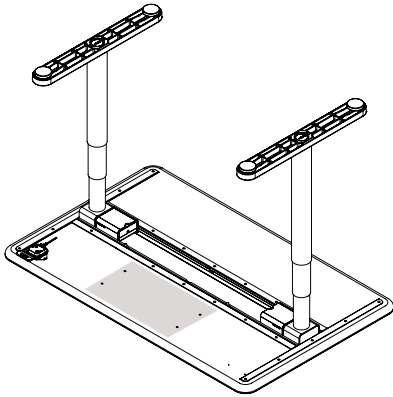
DRAWER

RAIL

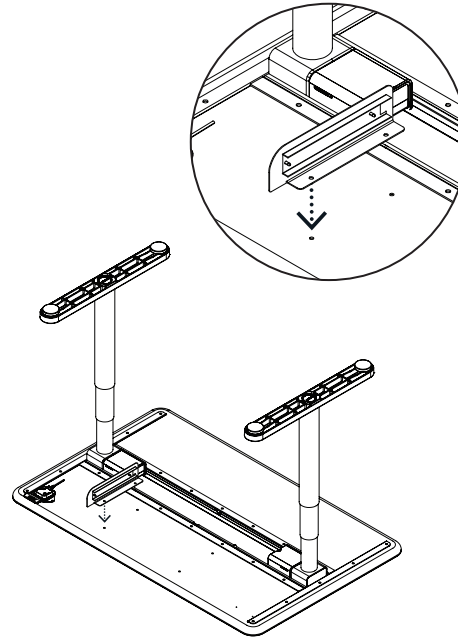
1. Separate the drawer rails from the drawer by pressing the plastic lever down and pulling the pieces apart



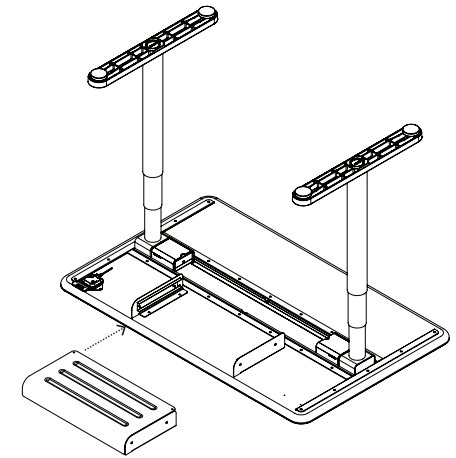
2. Align this template with the desk rail and tape it down
Make small marks or holes through the paper from screw locations



3. Align rails with pilot holes and screw into place



4. Slide the drawer back onto the rails
Turn the desk upright



ABOUT POPPIN

Poppin's furniture and office supplies are designed with your success in mind. From a day-brightening Stapler to a game-changing Desk System, Poppin is the one-stop shop for creating inspiring, modern workspaces.

WARNING/DISCLAIMER

Listen up, daredevils! (And anyone trying to reach that top shelf). Do not lean on this product. Use only as intended. Failure to follow these instructions could result in property damage or personal injury.

Shop the complete furniture collection
at **poppin.com**



Designed by Poppin in NYC

100% WORK HAPPINESS GUARANTEE

For full warranty details, visit poppin.com

Poppin, Inc.
16 Madison Square West, 3rd Floor
New York, NY 10010

(888) 676-7746
hi@poppin.com
[@workhappy @poppin](https://www.instagram.com/workhappy)

For patent or patent application
information visit poppin.com/patents

©Poppin 2020

v01_Dec2020