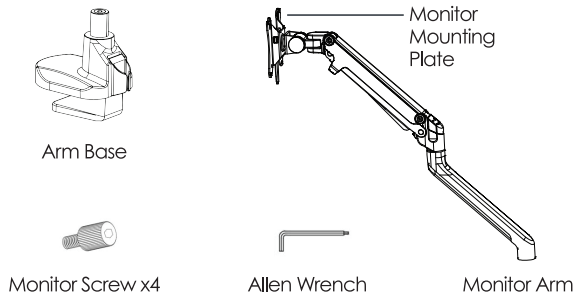


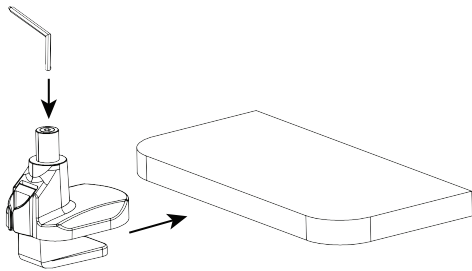
Swing Single Monitor Arm

Assembly Instructions

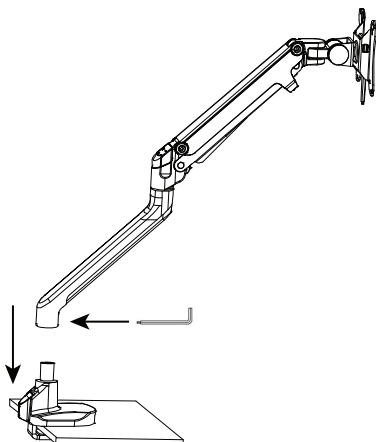
INCLUDED IN THE BOX



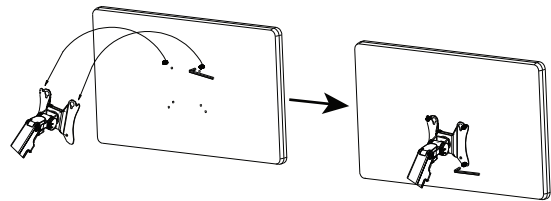
1. Position the base on the desk edge and use the allen wrench provided to tightly clamp the base onto the desk top.



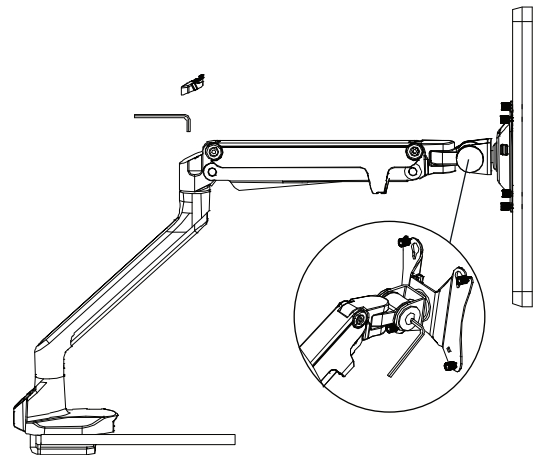
2. Slot the monitor arm onto the base and use the allen wrench provided to tightly pin the arm to the base.



3. Install two monitor mounting screws into your monitor using the allen wrench. Carefully hang the monitor on the monitor mounting plate, engaging the two holes that best align to the monitor screws. Install the remaining monitor mounting screws in the lower half of the mounting plate using the allen wrench.



4. Use the allen wrench to adjust the arm tension in two spots, to hold the monitor(s) in the desired position.



HEADS UP

Be sure to leave adequate cable slack when utilizing the built-in cable channeling feature and especially if using the monitor arm with an adjustable height desk.