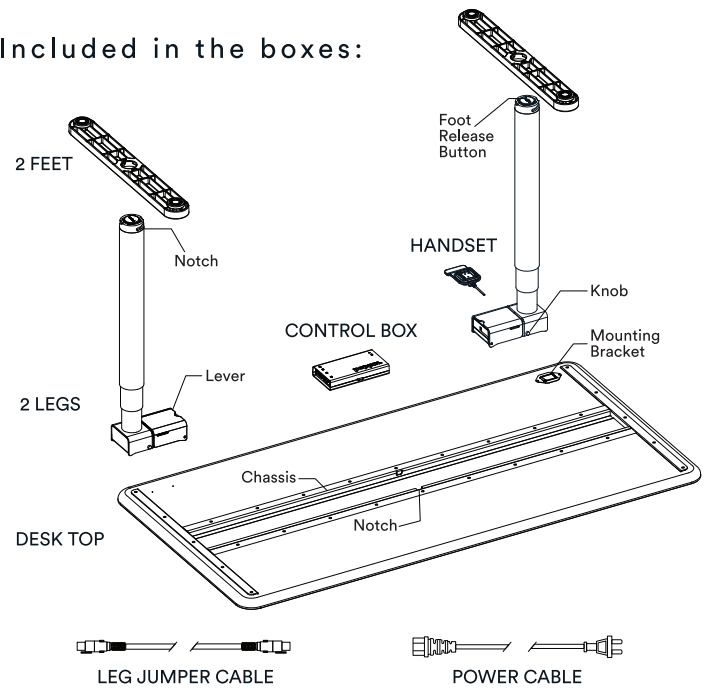


the higher plane

Raise Adjustable Height Single Desk

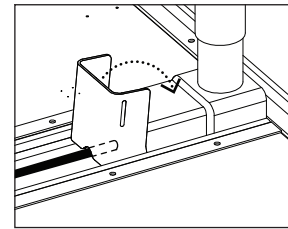
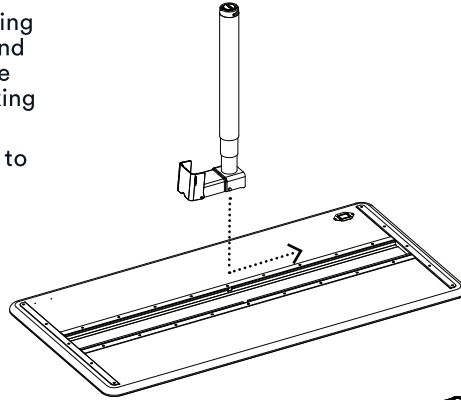
ASSEMBLY INSTRUCTIONS

Included in the boxes:

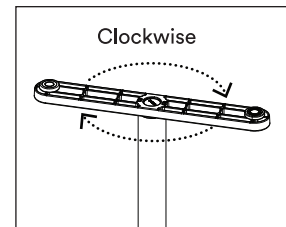
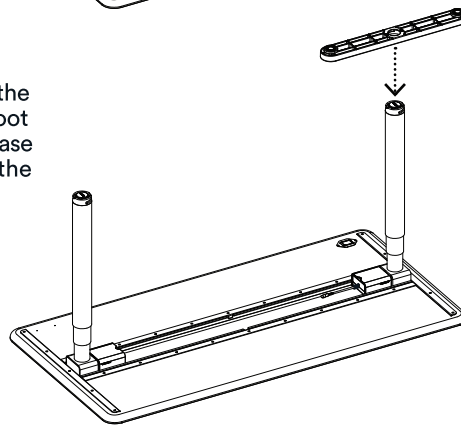


1. Insert the knob on the motor housing through the notch in the chassis and slide the leg to the right side of the chassis. Press the lever down, locking the leg into place.

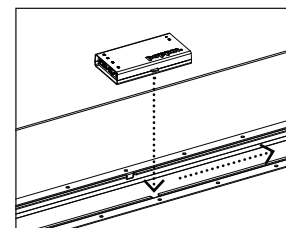
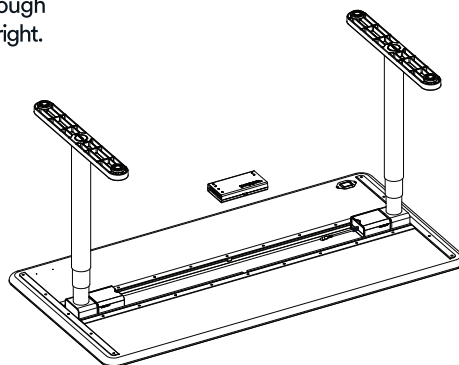
Repeat with second leg and slide to the left.



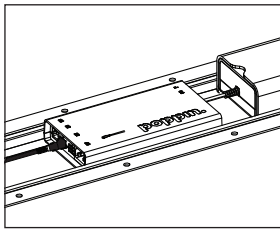
2. Align the knobs inside the foot with the notches on the leg cap. Rotate the foot 90° until you hear the click of the release button. (To remove the foot, press the release button.)



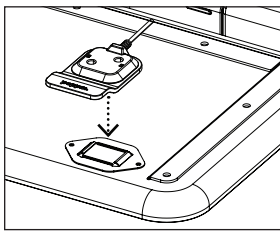
3. Insert the knob on the control box through the notch in the chassis and slide to the right.



4. Plug each leg into the control box



5. Snap the handset into the mounting bracket, then plug the handset into the control box.

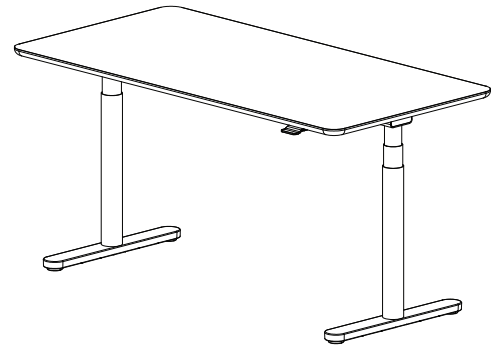


HEADS UP!
Relocate the mounting bracket to the opposite side of the desk top if that configuration is more comfortable.

6. With your buddy, lift by the legs and rotate the desk upright.

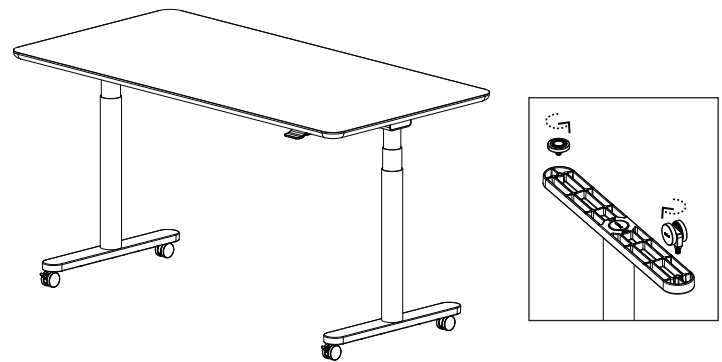
Move it to its intended spot and adjust the leveling glides, assuring that the desk surface is level with the Level app on your smartphone.

Plug in the power cord and test the handset.



7. If you have opted for casters, unscrew the standard glides and screw in the casters.

Note: The casters with brakes should be mounted at the front of the desk.



INSTRUCTIONS FOR USE

- To raise the desk, lift the handset up
- To lower, press the handset down

Troubleshoot a problem

If the desk ceases to respond to the control handset, then check each plug-in connection point, ensure a firm connection:

- Handset to control box
- Both legs to control box
- Power cord to control box
- Power cord to the wall/floor outlet

If the desk still doesn't function, then confirm that the wall/floor outlet has power by plugging in another device, like your mobile phone. If you need further guidance, call us!

How to reset the desk's control box

1. Press and hold the control handset down for ten seconds. Release
2. Press the handset down again. The desk will lower then rise quickly. This indicates that the control box has reset
3. Resume normal use of the desk

WARNING/DISCLAIMER

Heads up, daredevils! Failure to follow these installation instructions can result in product failure, personal injury, or property damage.

We recommend performing an annual check up on your desk. Ensure that both leg levers are fully engaged and the feet are parallel with the sides of the desk top. If these conditions are not met, cease using the furniture until corrections are made.

Shop the complete furniture collection at poppin.com



Designed by Poppin in NYC

Poppin, Inc.
16 Madison Square West
New York, NY 10010

(888) 676-7746
hi@poppin.com
#workhappy @poppin

100% WORK HAPPINESS GUARANTEE

For full warranty + care details, visit poppin.com

For patent or patent application information visit poppin.com/patents
©Poppin 2020

v02_Jan2021