

the all star

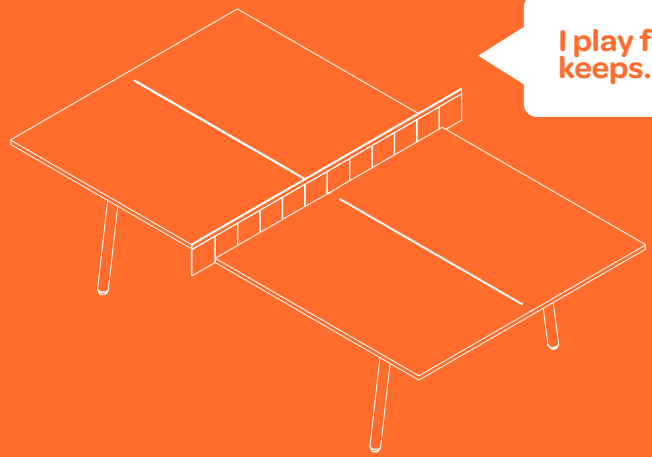
Series A Ping-Pong Conference Table

108 x 60 x 29 IN

ASSEMBLY INSTRUCTIONS

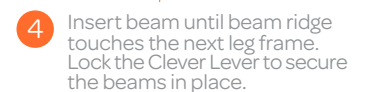
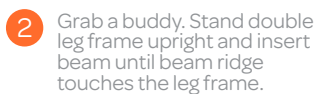
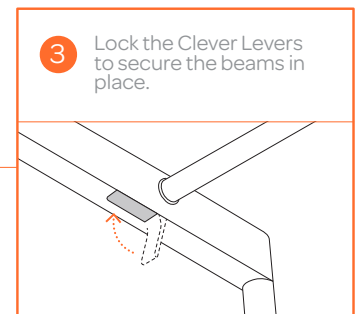
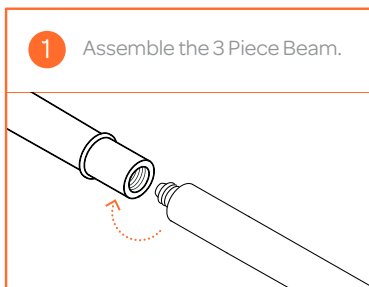
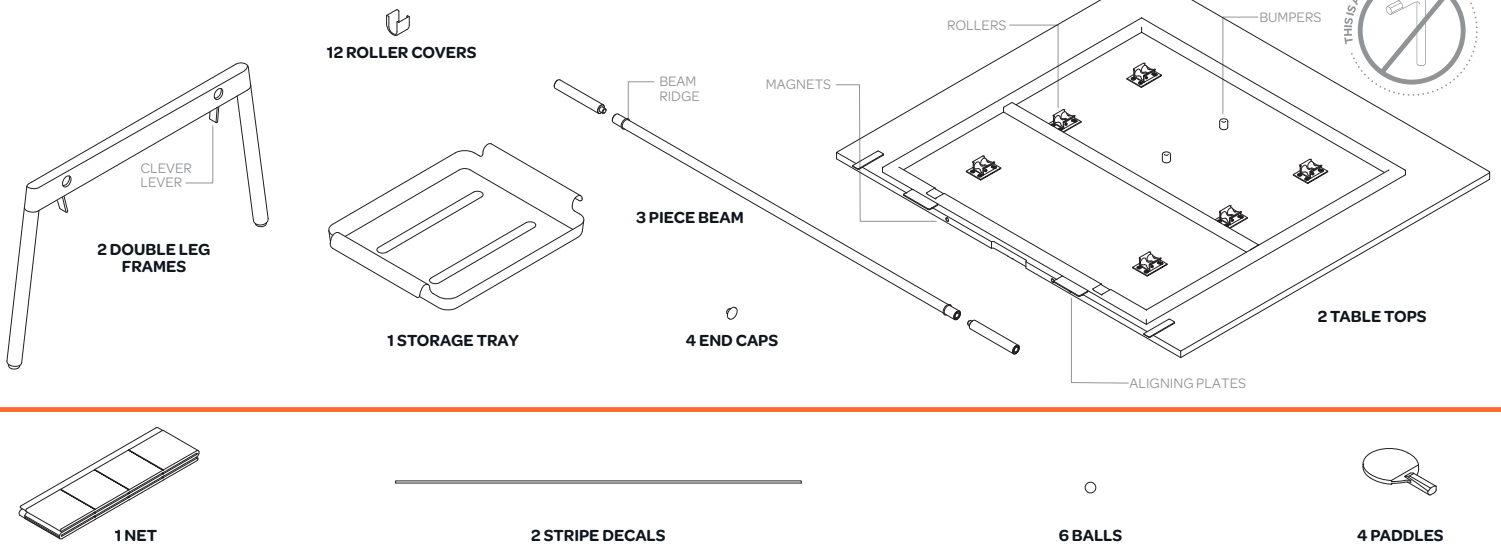
Dreamt up by Poppin in NYC

I play for keeps.

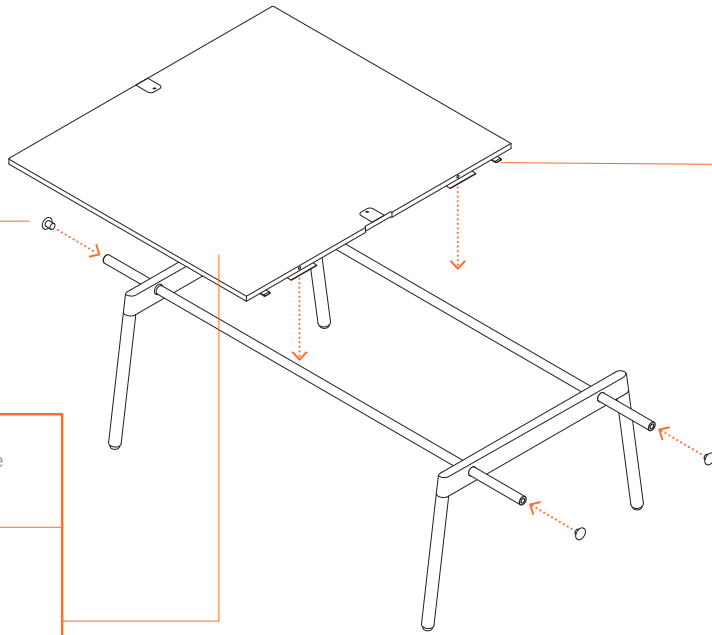


Visit poppin.com/how-to for How-to Videos

Included in the boxes:

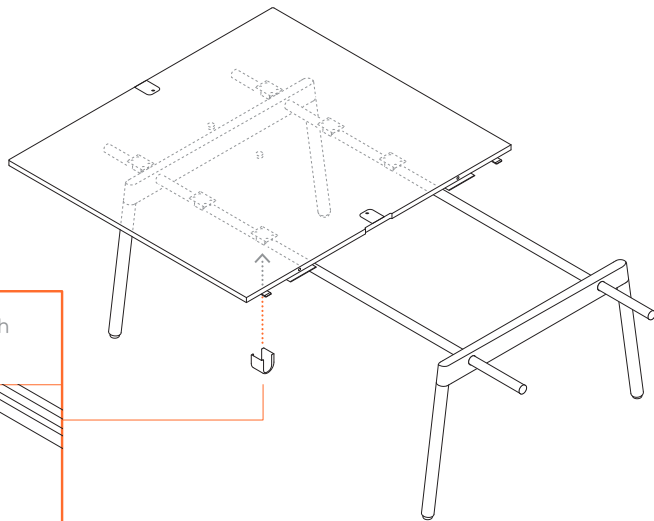
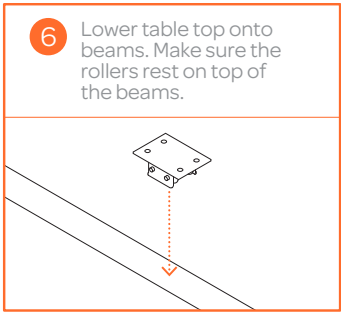


5 Insert all 4 end caps into beams.

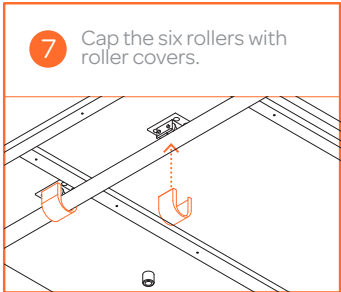


HEADS UP!
The magnetic edge of the table top must face inward and the bumpers must straddle the leg frame.

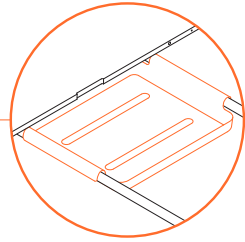
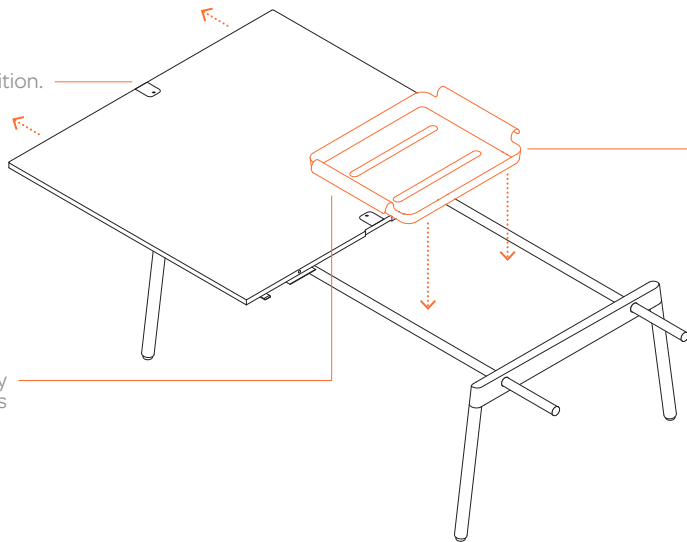
6 Lower table top onto beams. Make sure the rollers rest on top of the beams.



7 Cap the six rollers with roller covers.

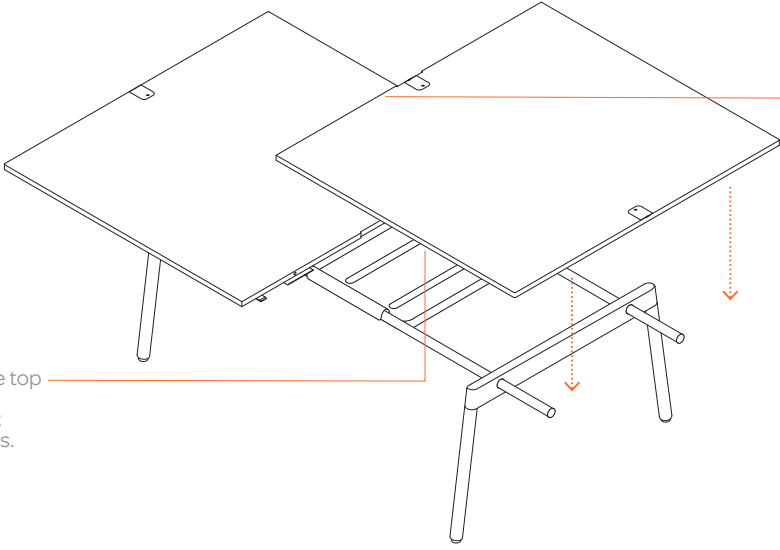


8 Roll table top to outermost position.

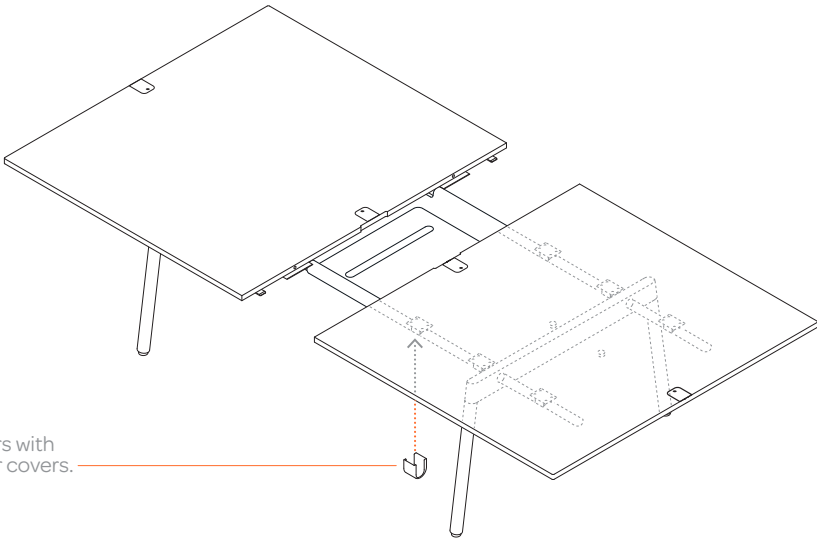


9 Lower storage tray onto beams. Press into place.

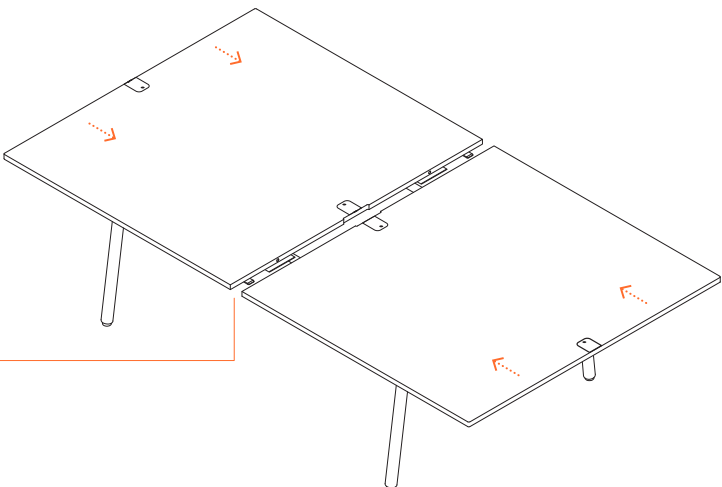
★
HEADS UP!
The magnetic edge of the table top must face inward and the bumpers must straddle the leg frame.



10 Lower second table top onto beams. Make sure the rollers rest on top of the beams.

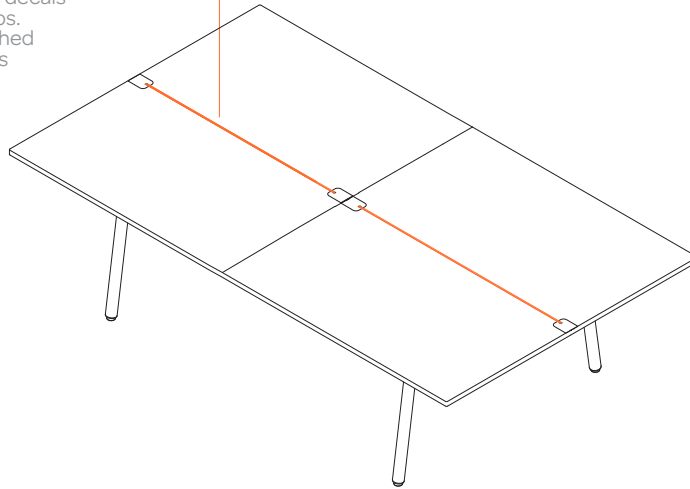


11 Cap the last 6 rollers with the remaining roller covers.

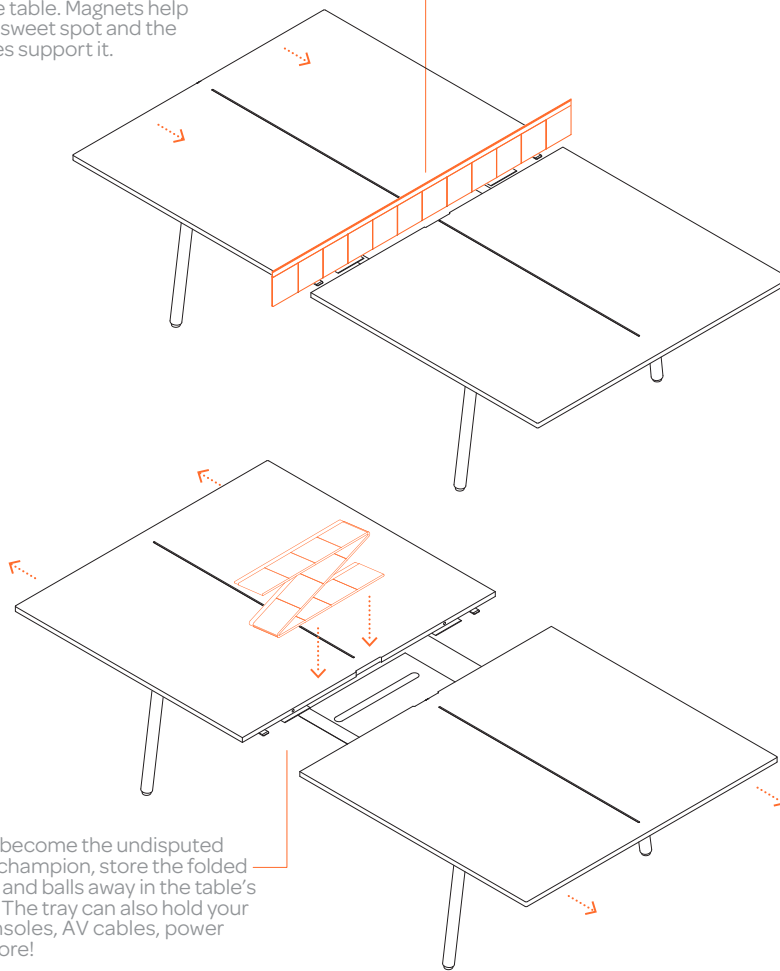


12 Roll both table tops to the closed position.

- 13 Adhere the stripe decals onto the table tops. Use the pre attached alignment stickers for guidance.



- 14 To install the net, separate the table tops slightly, unfold and drop the net into the gap. Center the net in the table. Magnets help hold it in the sweet spot and the aligning plates support it.



- 15 After you've become the undisputed table tennis champion, store the folded net, paddles and balls away in the table's storage tray. The tray can also hold your telecom consoles, AV cables, power strips and more!

★
HEADS UP!
If you're stressed about gettin' stripey, watch the assembly video at Poppin.com/how-to.

STRIPE APPLICATION

1. Grab one end of the stripe decal; your buddy grabs the other end. Remove paper backing from the decal, leaving the stripe and film.
2. With the decal pulled taut and sticky side down, align the decal dots over the circles printed on the table top alignment stickers.
3. Once you're happy with the alignment, firmly rub the stripe through the film.
4. Slowly peel away the film and remove alignment stickers, leaving only the stripe.

ABOUT POPPIN

Poppin's furniture and office supplies are designed with your success in mind. From a day-brightening Stapler to a game-changing Desk System, Poppin is the one-stop shop for creating inspiring, modern workspaces.

CARE

Laminate tops are tough guys, but they look best with a little TLC. Wipe up spills quickly, then clean with warm, soapy water and a soft cloth. For stubborn dirt, you can't beat a Mr. Clean Magic Eraser.

100% WORK HAPPINESS GUARANTEE

For full warranty + care details, visit poppin.com

WARNING/DISCLAIMER

Heads up, daredevils! Failure to follow these assembly instructions can result in product failure, personal injury, or property damage. We recommend performing an annual check up on your table.

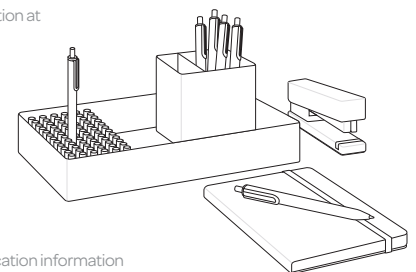
Shop the complete collection at poppin.com

Poppin, Inc.
New York, NY 10010

(888) 676-7746
workstylist@poppin.com
[#workhappy](https://www.instagram.com/poppin)

For patent or patent application information visit poppin.com/patents

©Poppin 2016



104105_INSTR_002