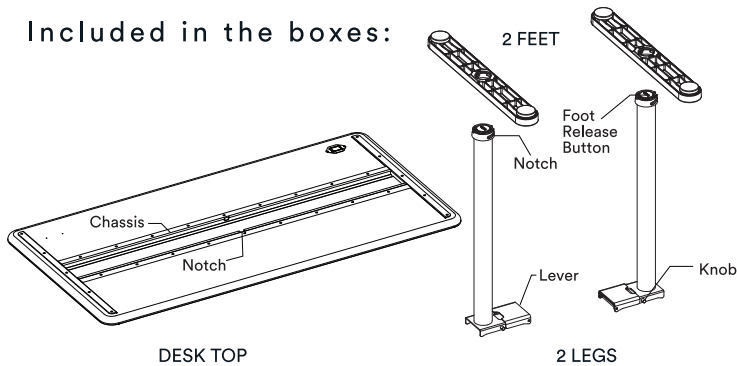


the steady state

Raise Fixed Height Single Desk

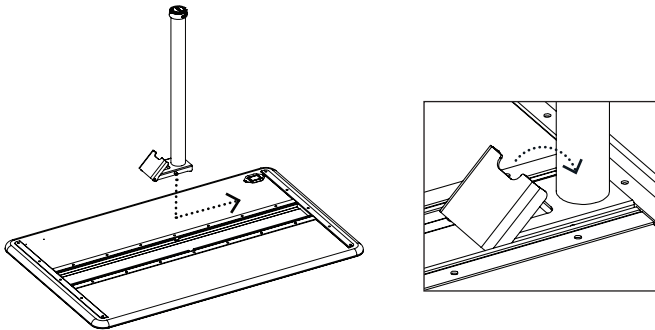
ASSEMBLY INSTRUCTIONS

Included in the boxes:

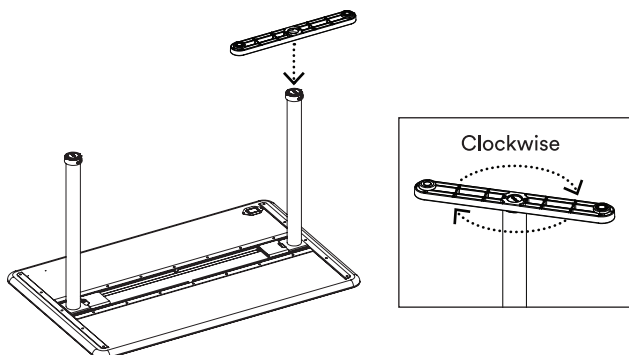


ASSEMBLY

1. Insert the knob on the motor housing through the notch in the chassis and slide the leg to the right side of the chassis. Press the lever down, locking the leg into place. Repeat with second leg and slide to the left.

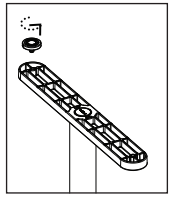


2. Align the knobs inside the foot with the notches on the leg cap. Rotate the foot 90° until you hear the click of the release button. (To remove the foot, press the release button.)

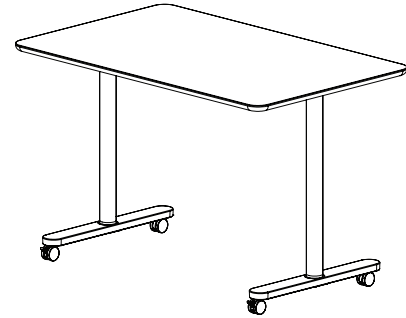


7. If you have opted for casters, unscrew the standard glides and screw in the casters.

Note: The casters with brakes should be mounted at the front of the desk.



6. With your buddy, lift by the legs and rotate the desk upright. Move it to its intended spot and adjust the leveling glides, assuring that the desk surface is level with the Level app on your smartphone.



ABOUT POPPIN

We're the easiest way to outfit your office. From our award-winning design to our helpful team of experts, we've built our brand to radically simplify the office furniture industry.

CARE

We recommend annual professional upholstery cleaning for maximum long-term performance and best appearance. Spot-clean using an upholstery cleanser formulated for Polyester fabrics.

100% WORK HAPPINESS GUARANTEE

For full warranty details, visit poppin.com

WARNING/DISCLAIMER

Listen up, daredevils! (And anyone trying to reach that top shelf). Do not stand on this product. Use only as intended. Failure to follow these instructions could result in property damage or personal injury.

Shop the complete furniture collection at poppin.com



Designed by Poppin in NYC

Poppin, Inc.
16 Madison Sq West, 3rd Floor.
New York, NY 10010

(888) 676-7746
hi@poppin.com
[@workhappy @poppin](https://www.instagram.com/workhappy)

For patent or patent application information visit poppin.com/patents
©Poppin 2021

v01_Jan2021