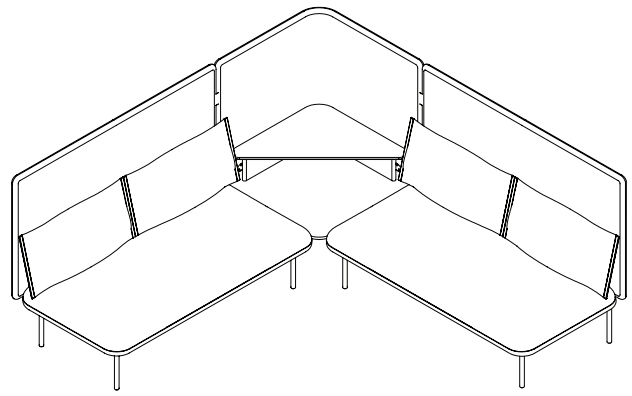
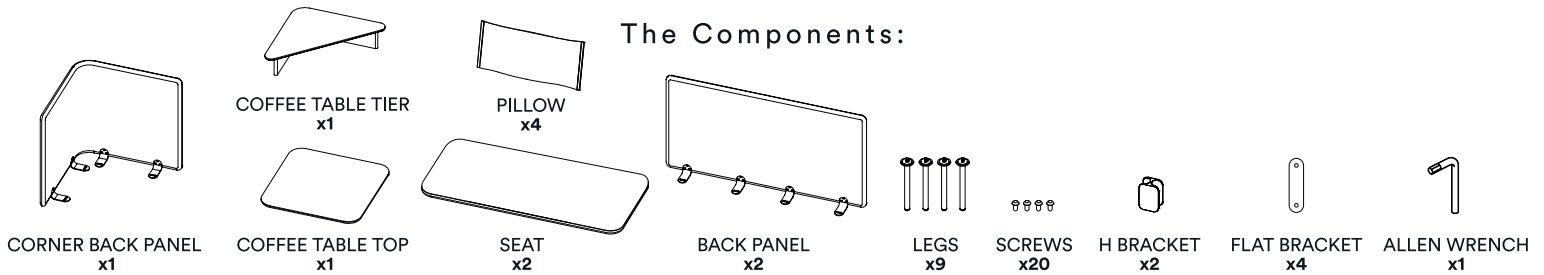


the quality time

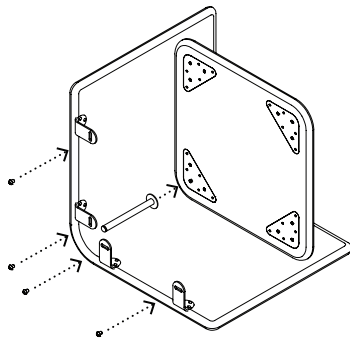
QT Lounge Corner Sofa



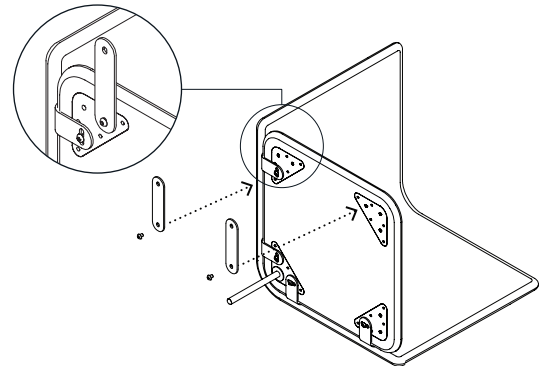
ASSEMBLY INSTRUCTIONS



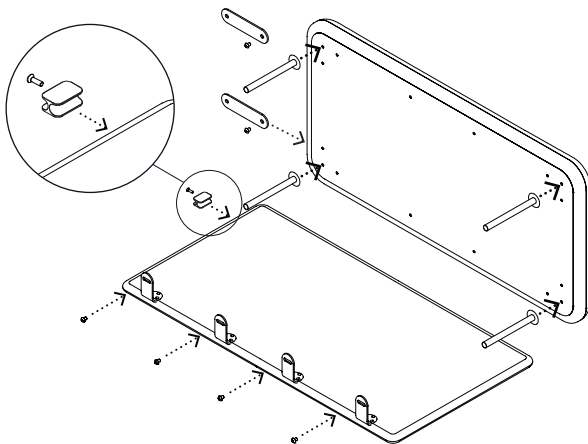
1. Lay the corner back panel on the ground. Align the coffee table top with two brackets and secure with screws. Fold the corner around the seat frame and secure with two screws. Screw in one leg



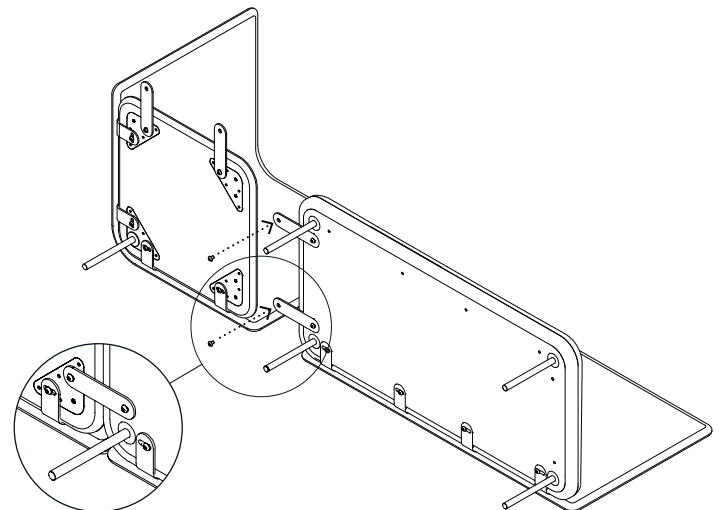
2. Install two flat brackets



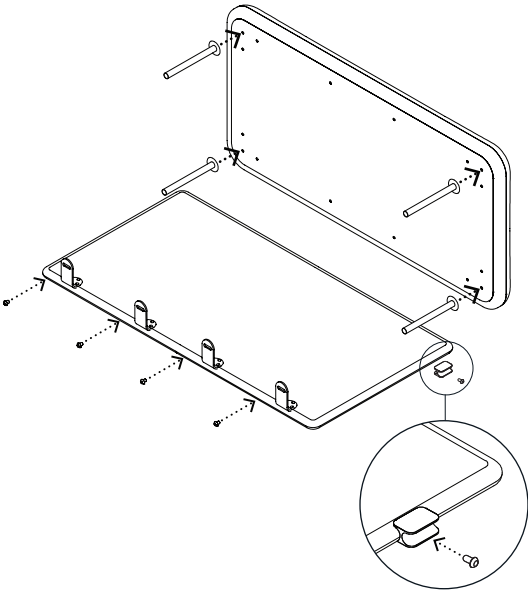
3. Lay the first flat back panel on the ground. Align the seat with L brackets and secure with screws. Feel for the hidden screw receptor on the edge of the flat back panel, under the upholstery, and make a small hole. Screw the H bracket into place. Install two flat brackets. Screw in four legs



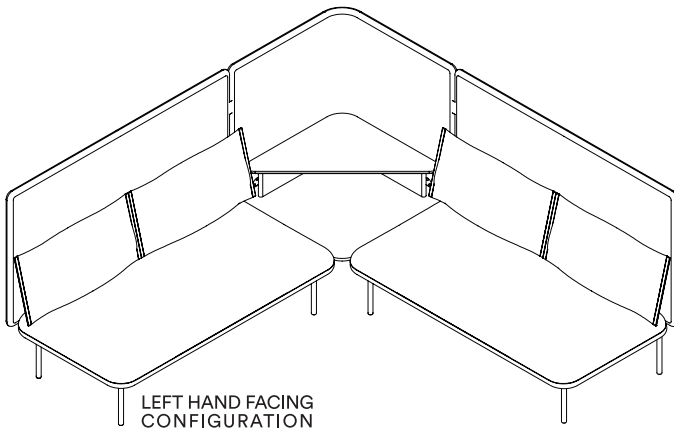
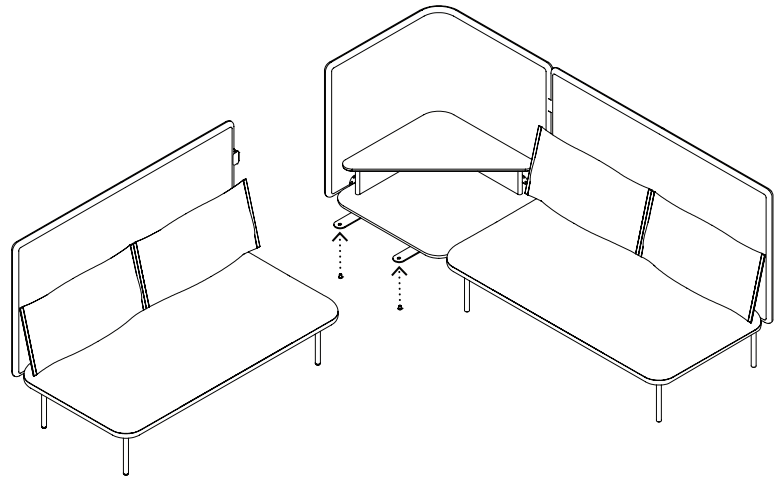
4. Position the seat and table side by side and ensure the corner back panel edge is nested into the H bracket (no additional screw required). Use the flat brackets to secure the table to the seat. Flip the sofa + table upright



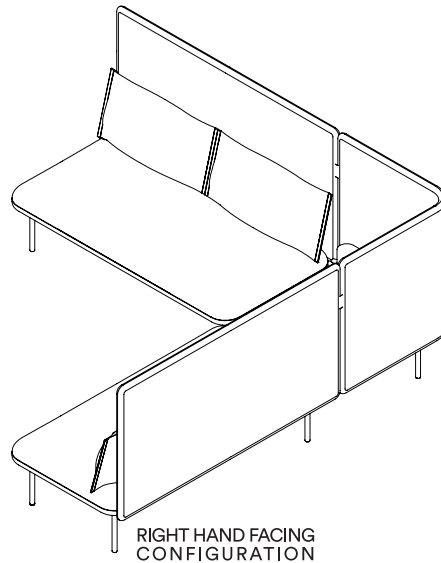
5. Lay the second flat back panel on the ground. Align the seat with L brackets and secure with screws. Feel for the hidden screw receptor on the edge of the flat back panel, under the upholstery, and make a small hole. Screw the H bracket into place. Install two flat brackets. Screw in four legs



6. Flip the sofa upright. Use the flat brackets to secure the seat to the table. Add the table tier and the pillows



LEFT HAND FACING CONFIGURATION



RIGHT HAND FACING CONFIGURATION

CARE

We recommend annual professional upholstery cleaning for maximum long-term performance and best appearance. Spot-clean using an upholstery cleanser formulated for Polyester fabrics.

(888) 676-7746

hi@poppin.com

WARNING/DISCLAIMER

Listen up, daredevils! (And anyone trying to reach that top shelf). Do not stand on this product. Use only as intended. Failure to follow these instructions could result in property damage or personal injury.

©Poppin 2021

v01_Apr2021